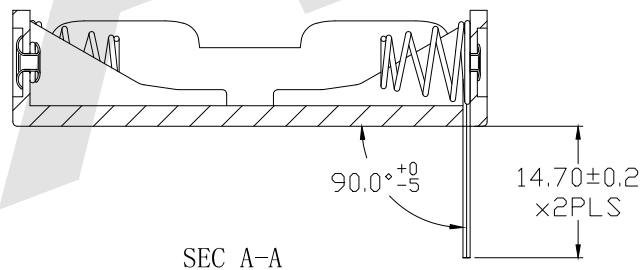
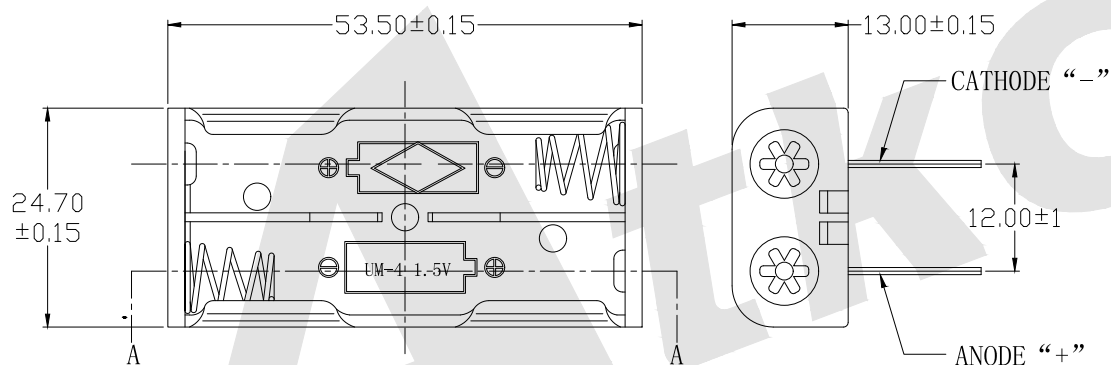
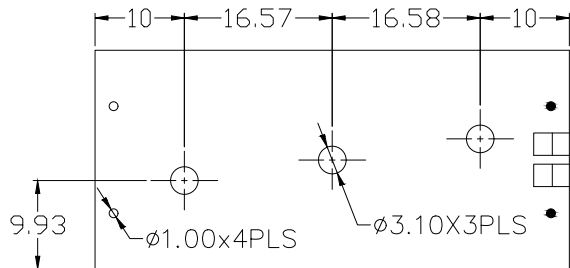


HSF



NOTES:

- HOLDER MATERIAL: POLYPROPYLENE
- SPRING MATL: MUSIC WIRE, 0.6DIA.
FINISH: NICKEL PLATE
- PC TERMINALS: MUSIC WIRE, 0.8DIA.
FINISH: NICKEL

Ordering Code:

BBC - 7 - 2 - A - P

① ② ③ ④ ⑤

- ① BBC: Battery Holders
- ② BATTERY TYPE
5: AA SIZE
7: AAA SIZE
- ③ BATTERY NUMBERS
1: 1 piece
2: 2 Pieces
3: 3 pieces
4: 4 pieces
- ④ Packing
A: TRAY
- ⑤ P: With Pins

Unless Otherwise specified tolerance

X. ± 0.35 X.XX: ± 0.20
 X.X: ± 0.25 X.XXX: ± 0.15

Atkconn® ATKCONN ELECTRONICS CO., LTD
[Http://www.atkconn.com](http://www.atkconn.com)

SCALE: As Shown UNIT: mm

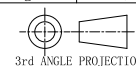
DRAW: ZLA DATE: 21/07/2022

CHECK: BobYang DATE: 21/07/2022

TITLE: 2 PIECES AAA Battery Holders WITH PINS

DRAWING NO: BBC-7-2-A-P

PRODUCT NO: BBC-7-2-A-P



REV	DESCRIPTION	DATE
1		
2		
3		
4		
5		