



Notes

- 1. Materials:PBT UL94V-0.
TERMINA:0.6MM SPRING STEEL NICKEL PLATED
- 2. TEMPERATURE RANGE:-40° C~270° C
- 3. VOLTAGE PARANETERS:270V

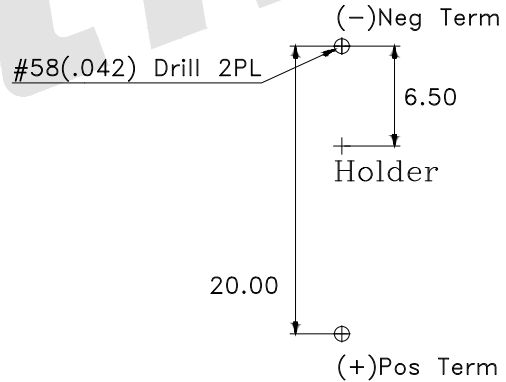
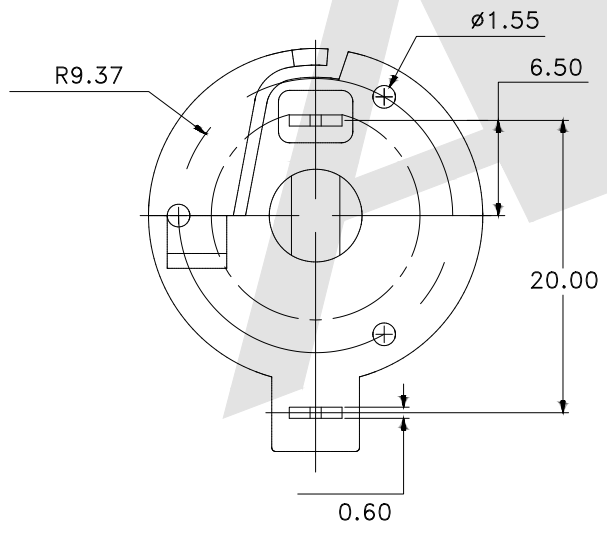
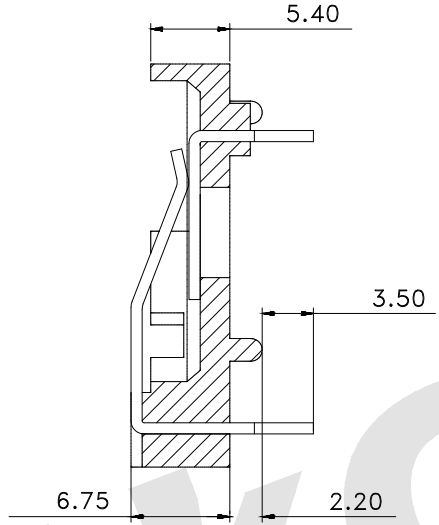
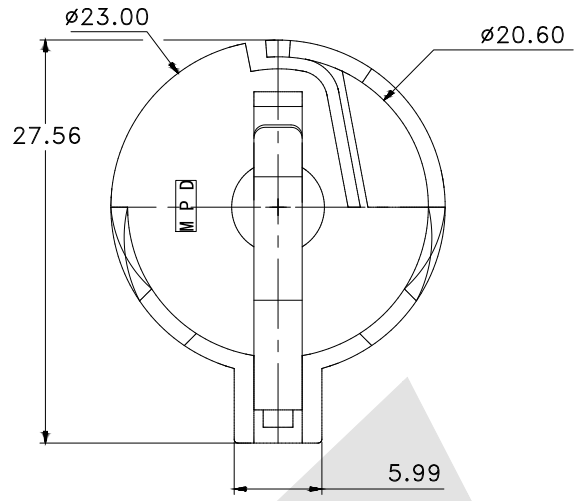
Order code:

BT - S - SN - R - CR2032V
 ① ② ③ ④ ⑤

- ① BT: Coin Cell Holders
- ② Apperance for the product
- ③ Contact Plating
- ④ Packing method
- ⑤ Product number

M:SMT TYPE
 S:180 TYPE
 R:90 TYPE

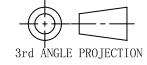
SN: Tin
 G0: Gold flash
 G1: 3U" Gold
 G2: 5U" Gold
 G3: 10U" Gold
 G4: 15U" Gold
 G5: 30U" Gold
 A: Tray packing
 R: Tape & reel packing
 CR2032 2020 2025



RECOMMEND PCBLAYOUT
 PCB TOP VIEW

Unless Otherwise specified tolerance
 X. ±0.35 X.XX: ±0.20
 X.X: ±0.25 X.XXX: ±0.15

SCALE: As Shown UNIT: mm
 DRAW ZLA DATE 21/07/2022
 CHECK BobYang DATE 21/07/2022



Atkconn® ATKCONN ELECTRONICS CO., LTD
[Http://www.atkconn.com](http://www.atkconn.com)

TITLE:
 Coin Cell Holders For CR2032 2020 2025

DRAWING NO: BT-S-SN-R-CR2032V
 PRODUCT NO: BT-S-SN-R-CR2032V

REV	DESCRIPTION	DATE
1		
2		