



NOTE:

1. MATERIAL:

- a. HOUSING: PA66
- b. CONTACT: PHOSPHOR BRONZE
(SURFACE PLATING: Sn 100u"-120U")

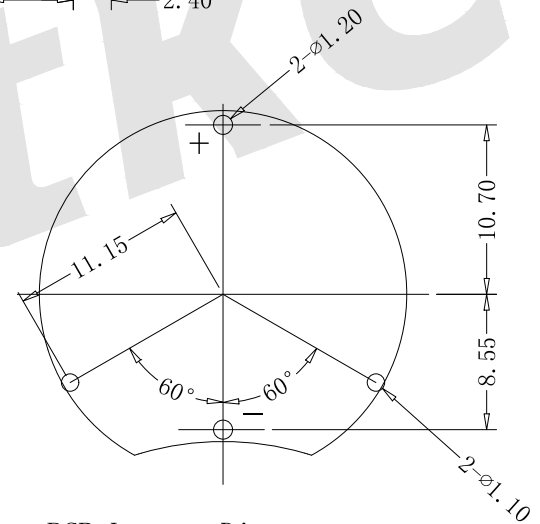
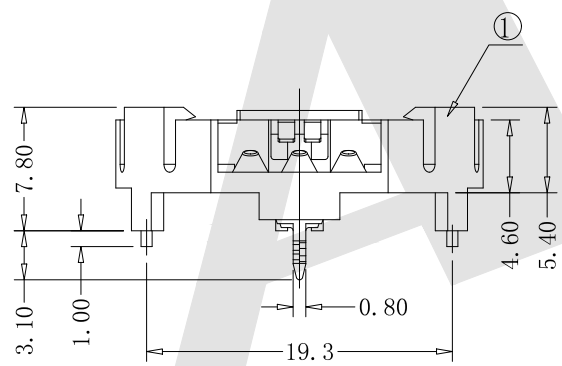
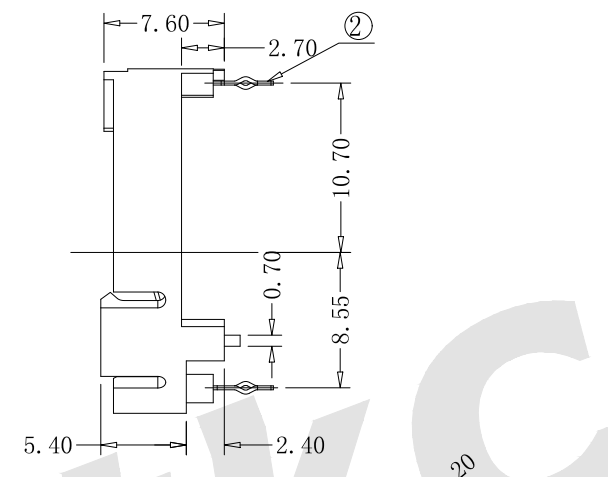
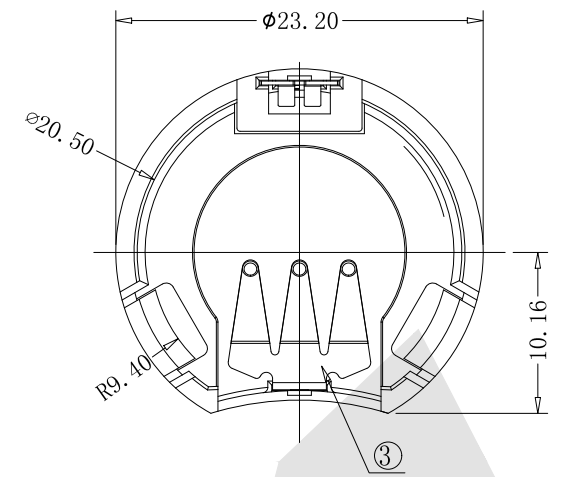
2. ELECTRIC:

- a. CONTACT RESISTANCE: 30 mΩ MAX
- b. INSULATION RESISTANCE: 1000 mΩ MIN
- c. DIELECTRIC VOLTAGE: 500V AC ONE SEC LEVEL
- d. OPERATING TEMPERATURE: -25°C ~ +85°C

Order code:

BT — S — SN — R — CR2032W
 ① ② ③ ④ ⑤

- ① BT: Coin Cell Holders
- ② Appearance for the product
M: SMT TYPE
S: 180 TYPE
R: 90 TYPE
- ③ Contact Plating
SI: NICKEL Plated
SN: Tin
G0: Gold flash
G1: 3U" Gold
G2: 5U" Gold
G3: 10U" Gold
G4: 15U" Gold
G5: 30U" Gold
- ④ Packing method
A: Tray packing
R: Tape & reel packing
- ⑤ Product number
CR2032W



PCB Layout Diagram
Top View

Unless Otherwise specified tolerance
 X. ±0.35 X.XX: ±0.20
 X.X: ±0.25 X.XXX: ±0.15

SCALE: As Shown UNIT: mm
 DRAW ZLA DATE 21/07/2022
 CHECK BobYang DATE 21/07/2022



Atkconn® ATKCONN ELECTRONICS CO., LTD
[Http://www.atkconn.com](http://www.atkconn.com)

TITLE:
Coin Cell Holders FOR CR2032
 DRAWING NO: BT-S-SN-R-CR2032W
 PRODUCT NO: BT-S-SN-R-CR2032W

REV	DESCRIPTION	DATE
1		
2		
3		
4		
5		