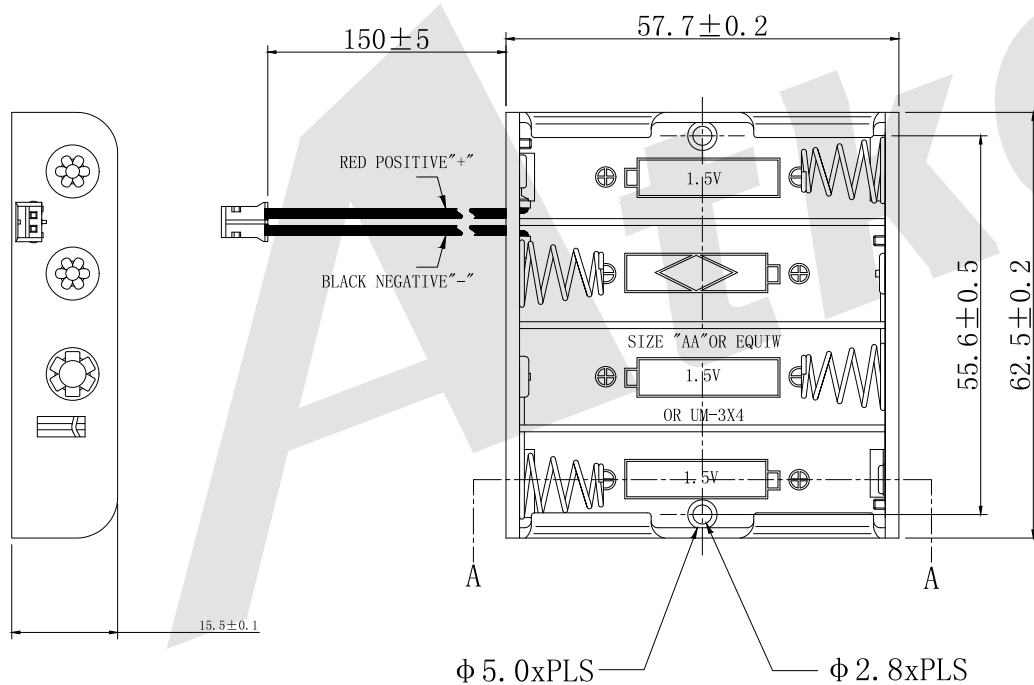


- HOLDER MAT'L: POLYPROPYLENE
SPRING MAT'L: MUSIC WIRE, (0.60) DIA.
FINISH: NICKEL PLATE
- WIRE SPEC: 1007 26# AWG UL/CSA,
RED/BLACK, stripped with Tin plated

Ordering Code:

BBB - 5 - 4 - 150 - A - S
 ① ② ③ ④ ⑤ ⑥

- ① BBB: CELL BOX
- ② BATTERY TYPE
5: AA SIZE
7: AAA SIZE
- ③ BATTERY NUMBERS
1: 1 piece
2: 2 Pieces
3: 3 pieces
4: 4 pieces
- ④ Wire Length
For example:
150=150mm
- ⑤ Packing
A: TRAY
- ⑥ S: PH2.0 SOCKET



Unless Otherwise specified tolerance
 X. ±0.35 X.XX: ±0.20
 X.X: ±0.25 X.XXX: ±0.15

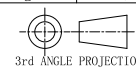
Atkconn® ATKCONN ELECTRONICS CO., LTD
[Http://www.atkconn.com](http://www.atkconn.com)

SCALE: As Shown UNIT: mm
 DRAW ZLA DATE 21/07/2022
 CHECK BobYang DATE 21/07/2022

TITLE: 4 PIECES AA Battery Holders WITH SOCKET

DRAWING NO: BBB-5-4-150-A-S

PRODUCT NO: BBB-5-4-150-A-S



REV	DESCRIPTION	DATE
1		
2		
3		
4		
5		