

Code	Number Of Contacts	Contact Arrangement	Rows With Contacts	Pitch
G	48		d b z	5.08
I	32		d z	

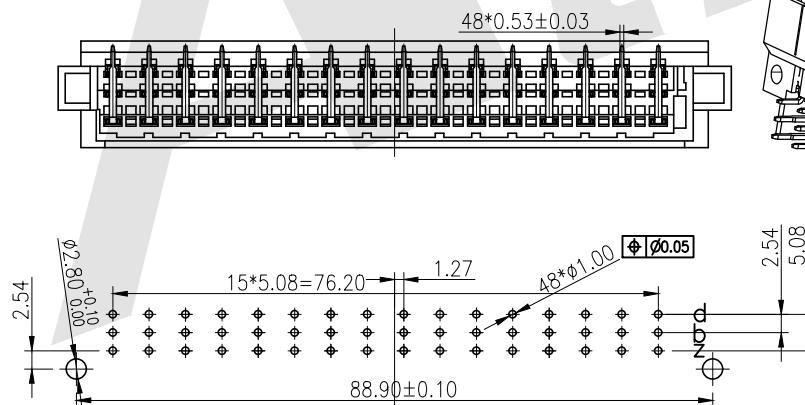
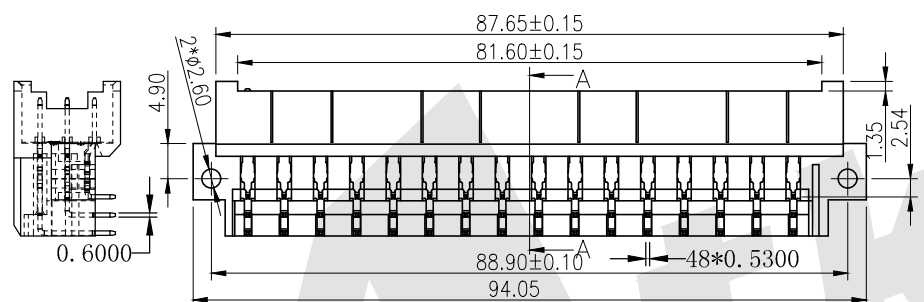
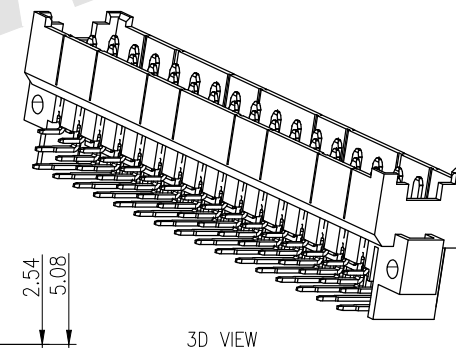
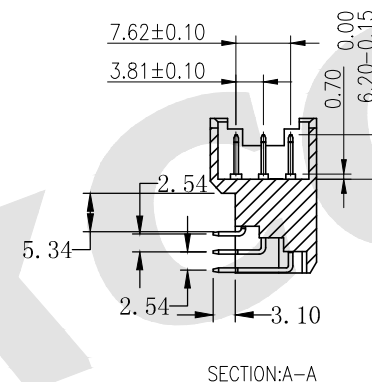
### SPECIFICATION

Current Rating: 5.6Amp  
 Insulation Resistance: 1000MΩ min. at DC 500V  
 Contact Resistance: 20mΩ max  
 Withstand Voltage: AC 1000V For 1 Minute  
 Operating Temperature: -55° C to +105° C  
 Contact Material: Phosphor Brass  
 Contact Plating: Au or Sn Over Ni  
 Insulator Material: PBT+30%GF UL 94V-0  
 Insertion Force: 75N max.  
 Withdrawal Force: 0.15N min. per individual contact

Ordering Code:

DMR - X - X - X - X - D06  
 ① ② ③ ④ ⑤ ⑥

- ① Series No:
- ② No. of Contacts  
48P 32P
- ③ Termination  
B: Right angle tail length H=3.0mm
- ④ Rows Loaded With Contacts  
G: Row d+b+z  
I: Row d+z
- ⑤ Contact Plating  
G0: Gold flash  
S0: Gold flash/Ni  
G1: 3u" Gold  
S1: 3u" Gold/Ni  
G2: 5u" Gold  
S2: 5u" Gold/Ni  
G3: 10u" Gold  
S3: 10u" Gold/Ni  
G4: 15u" Gold  
S4: 15u" Gold/Ni  
G5: 30u" Gold  
S5: 30u" Gold/Ni  
SN: Tin
- ⑥ Series number  
D06



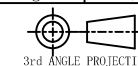
Recommended P.C.B. Layout  
 NEW DWG  
 DESCRIPTION

Unless Otherwise specified tolerance  
 X. ±0.35 X.XX: ±0.20  
 X.X: ±0.25 X.XXX: ±0.15

**Atkconn**® ATKCONN ELECTRONICS CO., LTD  
[Http://www.atkconn.com](http://www.atkconn.com)

SCALE: As Shown UNIT: mm  
 DRAW ZLA DATE 25/04/2022  
 CHECK BobYang DATE 25/04/2022

TITLE:  
 DIN41612 Right Plug F Type High Power  
 Connectors 48 Positions (Terminal Width=1.54MM)



DRAWING NO: DMR-XX-XXX-D06

PRODUCT NO: DMR-XX-XXX-D06

REV	DESCRIPTION	DATE