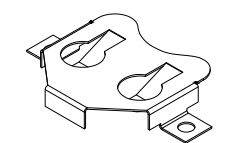


ACTUAL SIZE



GRAIN DIRECTION

GRAIN DIRECTION

NOTE:

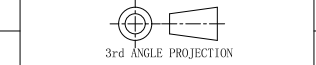
1. ALL INSIDE BEND RADII TO BE A MIN. OF MATERIAL THICKNESS UNLESS OTHERWISE SPECIFIED.
2. PART MUST BE FREE OF ALL BURRS AND SHARP EDGES.
3. MAT'L: 0.254 TH' K FULL HARD PHOSPHOR BRONZE
4. FINISH: NICKEL PLATE 0.00254-0.00762 NICKEL, OVER 0.00127-0.00254 COPPER
5. INDICATES CRITICAL DIMENSION

BS	M	SI	R	CR3002A
①	②	③	④	⑤

- ① BS: Battery Contacts
- ② Appearance for the product
- M: SMT TYPE
- ③ Contact Plating
- SI: Nickel Plate
- SN: Tin
- G0: Gold flash
- G1: 3U" Gold
- G2: 5U" Gold
- G3: 10U" Gold
- G4: 15U" Gold
- G5: 30U" Gold
- ④ Packing:
- B: Bag bulk packing
- R: Tape & Reel packing
- ⑤ Product number
- CR3002A

Unless Otherwise specified tolerance	
X. ±0.35	X.XX: ±0.20
X.X: ±0.25	X.XXX: ±0.15

SCALE: As Shown	UNIT: mm
DRAW ZLA	DATE 21/07/2022
CHECK BobYang	DATE 21/07/2022



Atkconn® ATKCONN ELECTRONICS CO., LTD
[Http://www.atkconn.com](http://www.atkconn.com)

TITLE: BATTERY CONTACTS FOR CR3002. BR2016. DL2020. CR2025. CR2032

DRAWING NO: BS-M-SI-R-CR3002A

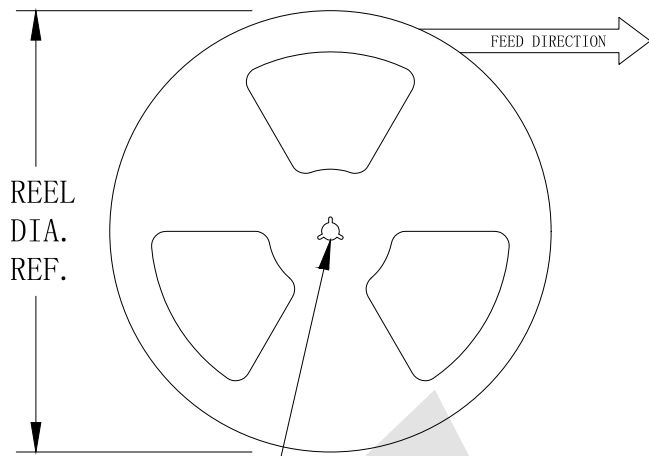
PRODUCT NO: BS-M-SI-R-CR3002A

REV	DESCRIPTION	DATE
1		
2		
3		
4		
5		

HSF



ROHS



12.7 DIA HOLE THRU

44.0 ± 0.13

24.0 ± 0.13

3.99 ± 0.13

1.5 ± 0.13 DIA. HOLE (TYP.)

2.0

4.5 REF

20.0

0.4 REF.



前后各空18个

NOTES:

TAPE AND REEL SPECIFICATIONS:

1. TAPE:

MAT'L-ALL CONDUCTIVE POLYSTYRENE CARRIER
ANSI/EIA-481 STANDARD
44.0 WIDE; 24.0 PITCH

2. REEL:

330.2 DIA. 500 PIECES OF
PART NO. BS-M-SI-3002-R PER REEL.

Unless Otherwise specified tolerance	
X. ± 0.35	X. XX: ± 0.20
X. X: ± 0.25	X. XXX: ± 0.15

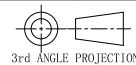
Atkconn® ATKCONN ELECTRONICS CO., LTD
[Http://www.atkconn.com](http://www.atkconn.com)

SCALE: As Shown	UNIT: mm
DRAW ZLA	DATE 21/07/2022
CHECK Bobyang	DATE 21/07/2022

TITLE: BATTERY CONTACTS FOR CR3002. BR2016. DL2020. CR2025. CR2032

DRAWING NO: BS-M-SI-R-CR3002A

PRODUCT NO: BS-M-SI-R-CR3002A



REV	DESCRIPTION	DATE
1		
2		
3		
4		
5		