



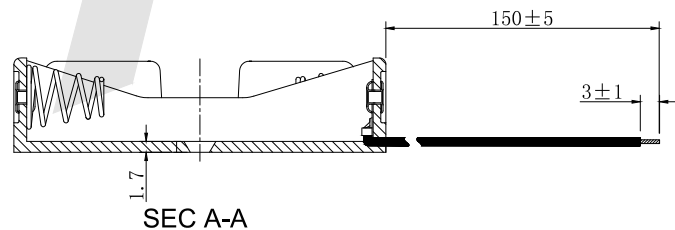
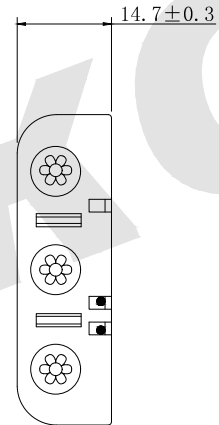
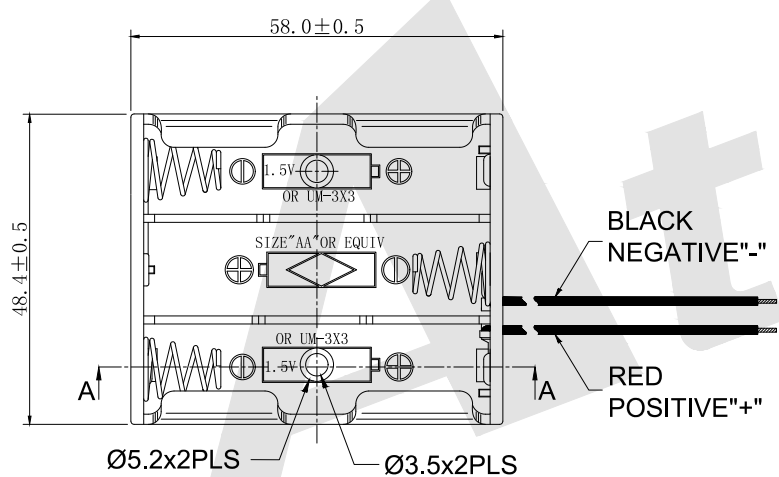
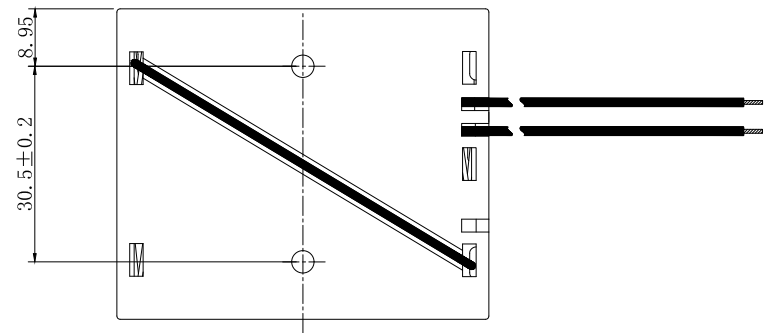
NOTES:

- 1、HOLDER MATERIAL:POLYPROPYLENE.
- 2、SPRING MATERIAL:MUSIC WIRE, 0.7DIA
FINISH:NICKEL PLATE
- 3、WIRE:26 AWG 1007 UL/CSA APPROVED.

BBA - 5 - 3 - 150 - A - 3
 ① ② ③ ④ ⑤ ⑥

- ① BBA:Battery Holders
- ② BATTERY TYPE
- ③ BATTERY NUMBERS
- ④ Wire Length
For example:
150=150mm
- ⑤ Packing
A:TRAY
- ⑥ 3:Series Number

- 5: AA SIZE
- 7: AAA SIZE
- 1: 1 piece
- 2: 2 Pieces
- 3: 3 pieces
- 4: 4 pieces



Unless Otherwise specified tolerance
 X. ±0.35 X.XX: ±0.20
 X.X.X: ±0.25 X.XXX: ±0.15

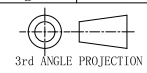
Atkconn® ATKCONN ELECTRONICS CO., LTD
[Http://www.atkconn.com](http://www.atkconn.com)

SCALE: As Shown UNIT: mm
 DRAW ZLA DATE 21/07/2022
 CHECK BobYang DATE 21/07/2022

TITLE: 3 PIECES AA Battery Holders

DRAWING NO: BBA-5-3-150-A-3

PRODUCT NO: BBA-5-3-150-A-3



REV	DESCRIPTION	DATE
1		
2		
3		
4		
5		