



NOTES:

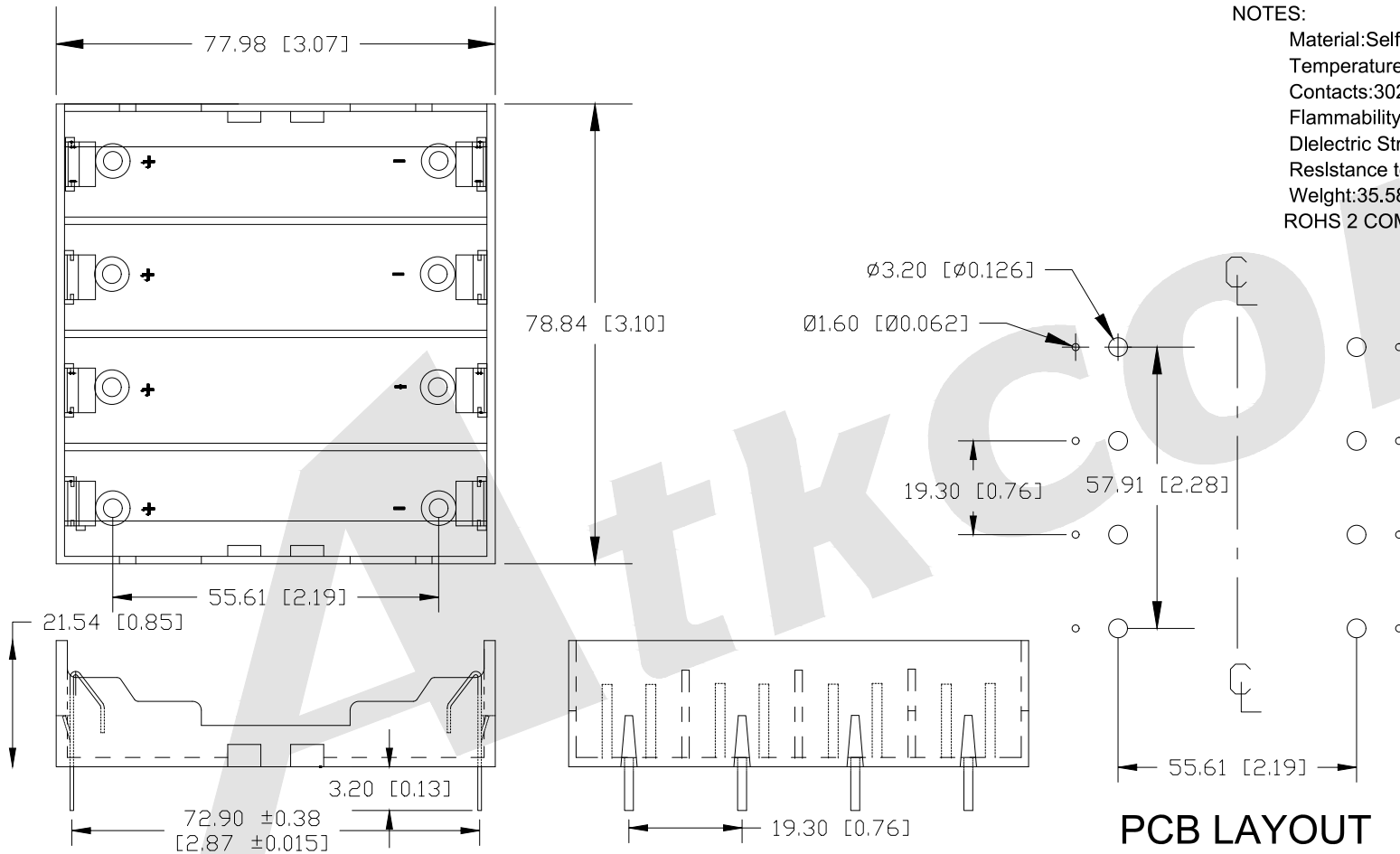
Material:Self-extinguishing Themoplastic Polyester,color black
 Temperature Range:-40°C to +180°C
 Contacts:302 Stainless Steel Sping Temper,Nickel Plated
 Flammability Range:UL 94 V-0
 Dielectric Strength: 580 Voits/Mil,at 25°C for 5 Sec.
 Reslstance to Solvents:Xylene,ethyl,butyl,methyl & toluene
 Welght:35.58g.
 ROHS 2 COMPLIANT

Ordering Code:

BBC - 8 - 4 - A - P
 ① ② ③ ④ ⑤

- ① BBC: Battery Holders
- ② BATTERY TYPE
5: AA SIZE
7: AAA SIZE
8: 18650
- ③ BATTERY NUMBERS
1: 1 piece
2: 2 Pieces
3: 3 pieces
4: 4 pieces
- ④ Packing
A:TRAY
- ⑤ P:With Pins

PCB LAYOUT

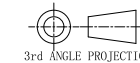


Mounting Instruction:

Use 2-56 machine screws or eyelets 0.089" OD
 by 0.15" flange stimpson GS-3 series or equivaent.
 also adhesives and double sided tapes work well.

Unless Otherwise specified tolerance
 X. ±0.35 X.XX: ±0.20
 X.X: ±0.25 X.XXX: ±0.15

SCALE: As Shown UNIT: mm
 DRAW ZLA DATE 21/07/2022
 CHECK BobYang DATE 21/07/2022



Atkconn® ATKCONN ELECTRONICS CO., LTD
[Http://www.atkconn.com](http://www.atkconn.com)

TITLE: 4 pieces battery holders 18650
 with pins

DRAWING NO: BBC-8-4-A-P

PRODUCT NO: BBC-8-4-A-P

REV	DESCRIPTION	DATE
1		
2		
3		
4		
5		