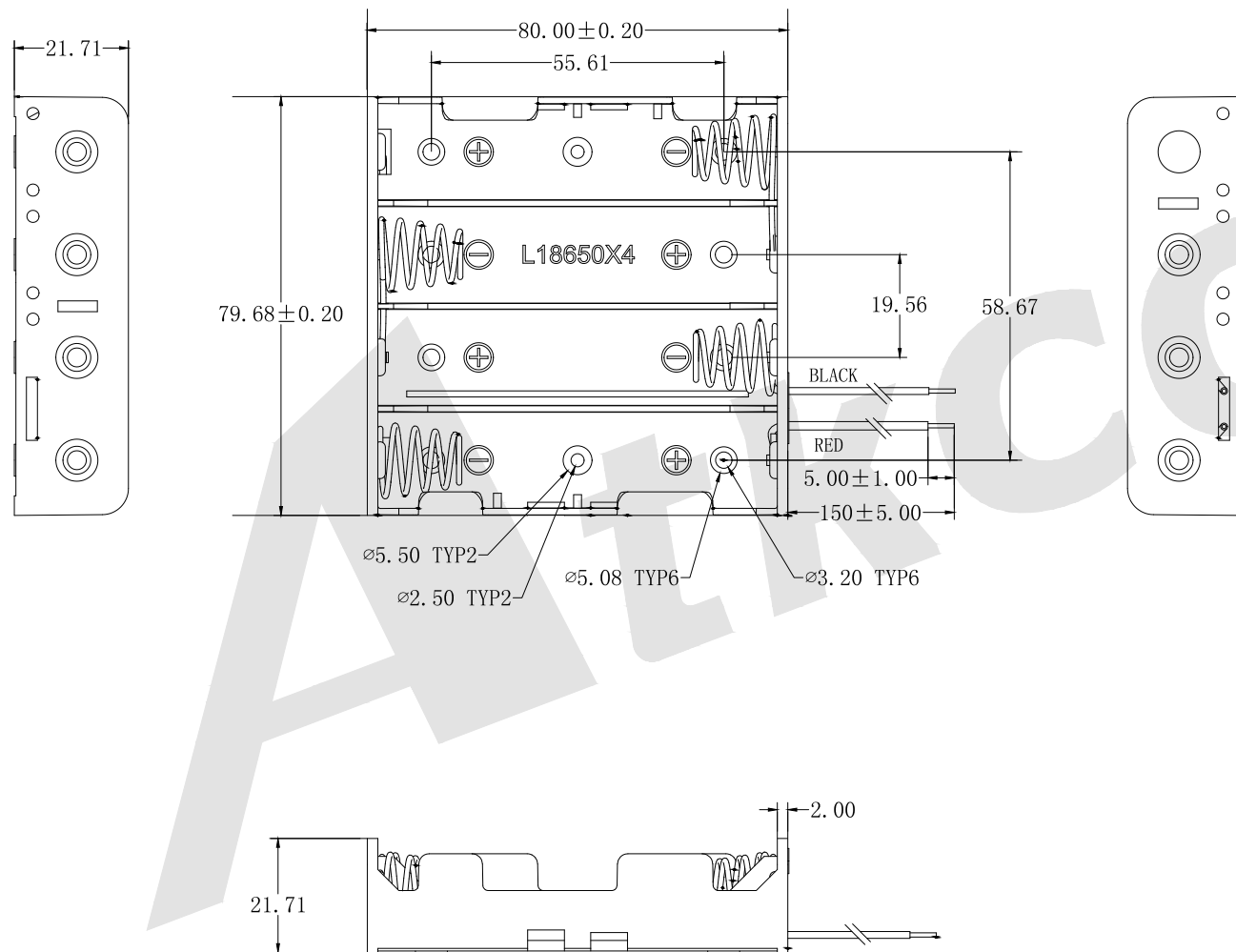




1. RIVERS:BRASS NICKEL PLATED
  - SPRING:1.0MM 65C SPRING WIRE, NICKEL PLATED
  2. WIRE SPEC: UL1007 24# AWG ,300V. 80° C  
RED/BLACK, 150±5MM, strip And Tin5±1MM
  3. TEMPERATURE RANGE:-10° C TO 80° C
  4. BASE MATERIAL:PP RESIN BLACK
- Ordering Code:

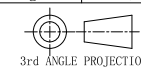
BBA - 18650 - 4 - 150 - A  
 ①            ②            ③            ④            ⑤

- ① BBA: Battery Holders
- ② BATTERY TYPE  
18650
- ③ BATTERY NUMBERS  
1: 1 piece  
2: 2 Pieces  
3: 3 pieces  
4: 4 pieces
- ④ Wire Length  
For example:  
150=150mm
- ⑤ Packing  
A:TRAY



Unless Otherwise specified tolerance  
 X. ±0.35    X.XX: ±0.20  
 X.X: ±0.25    X.XXX: ±0.15

SCALE: As Shown	UNIT: mm
DRAW ZLA	DATE 21/07/2022
CHECK BobYang	DATE 21/07/2022



**Atkconn**® ATKCONN ELECTRONICS CO., LTD  
[Http://www.atkconn.com](http://www.atkconn.com)

TITLE:  
4 PIECES LI-ION 18650 Cells Holders

DRAWING NO: BBA-18650-4-150-A

PRODUCT NO: BBA-18650-4-150-A

REV	DESCRIPTION	DATE
1		
2		
3		
4		
5		