

HSF



ROHS

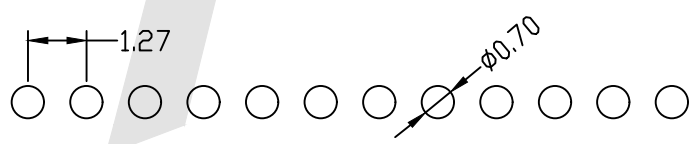
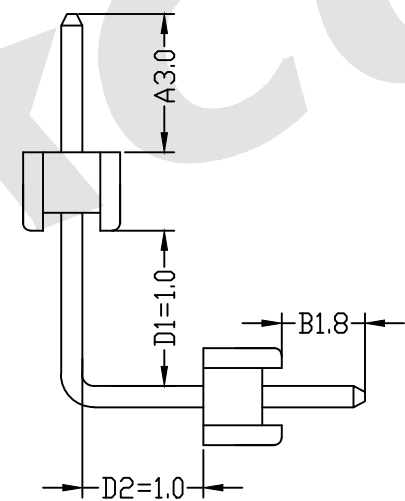
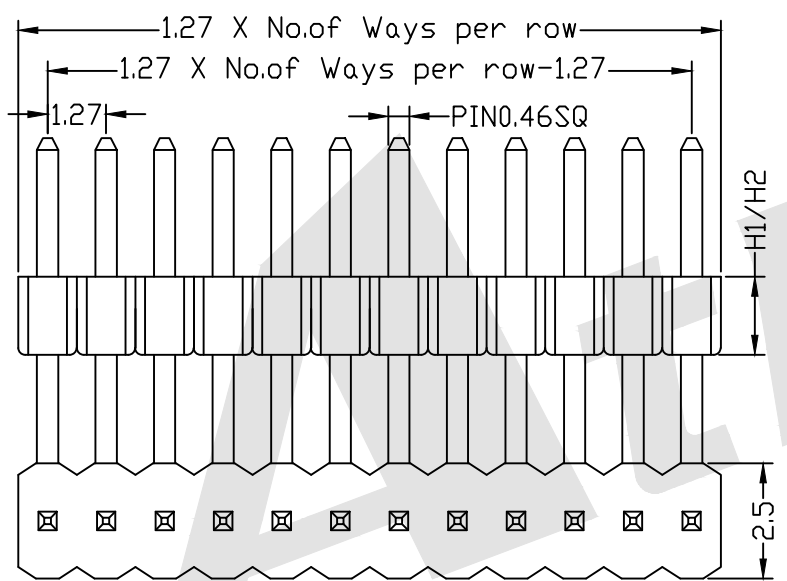
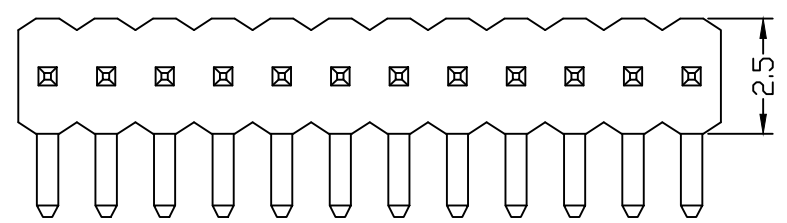
SPECIFICATION

Current Rating: 1Amp
 Insulation Resistance: 1000M ohms min
 Contact Resistance: 20M ohms max
 Dielectric Withstanding: AC500V
 Operating Temperature: -65° C to +125° C
 Contact Material: Brass
 Insulator Material: PA6T, UL 94V-0 Black

Ordering Code:

PHCR07 - X - X - S - A-D1-D2-B - X - X - X
 ① ② ③ ④ ⑤ ⑥ ⑦ ⑧

- ① Series No:
- ② No. of Contacts
01 To 50
- ③ Contact Plating:
 G0:Gold flash S0:Selective
 G1:3U" Gold S1:Selective 3u"
 G2:5u" Gold S2:Selective 5u"
 G3:10u" Gold S3:Selective 10u"
 G4:15u" Gold S4:Selective 15u"
 G5:30u" Gold S5:Selective 30u"
 SN:Tin
- ④ Connector Type
S:Single Row
- ⑤ Pin Length:
 A: 0300=3.00mm
 D1: 0100=1.00mm
 D2: 0100=1.00mm
 B: 0180=1.80mm
 Please mark the desired length in the A/D1/D2/B
- ⑥ Insulator Material
 B:PA6T
 C:LCP
 E:PA9T
- ⑦ Packing:
 A:Tray B:Bag
 T:Tube U:Tube+CAP
 R:Tape&Reel
 W:Tape&Reel+CAP
- ⑧ Plastic High
 H1:1.7mm
 H2:2.5mm



PCB LAYOUT

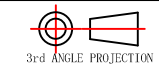
Unless Otherwise specified tolerance
 X. XX: ±0.20
 X. X: ±0.25 X. XXX: ±0.15
 X. XX: ±0.20
 X. XXX: ±0.15

Atkconn® ATKCONN ELECTRONICS CO., LTD
[Http://www.atkconn.com](http://www.atkconn.com)

SCALE: As Shown	UNIT: mm
DRAW ZLA	DATE 24/04/2022
CHECK BobYang	DATE 24/04/2022

TITLE: 1.27mm Pin Header Single Row
Double Plastic Angle Type

DRAWING NO: PHCR07-XXS-0300-0100-0100-0180-XXX
 PRODUCT NO: PHCR07-XXS-0300-0100-0100-0180-XXX



REV	DESCRIPTION	DATE