



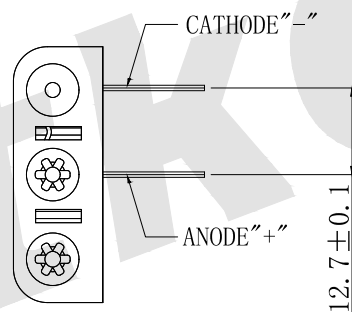
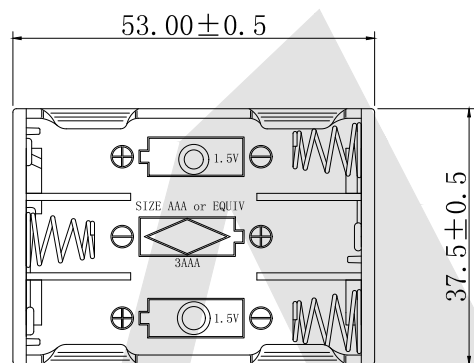
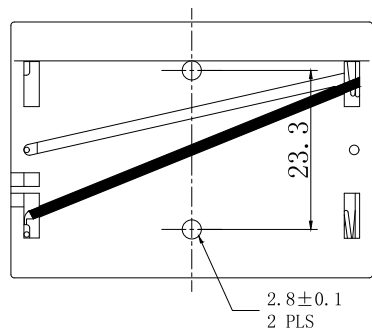
NOTES:

- 1、HOLDER MATERIAL:POLYPROPYLENE
- 2、SPRING MATL:MUSIC WIRE, 0. 6DIA.
FINISH:NICKEL PLATE
- 3、PC TERMINALS:MUSIC WIRE, 0. 8DIA.
FINISH:NICKEL

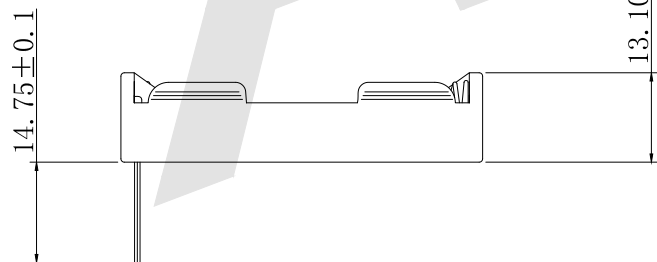
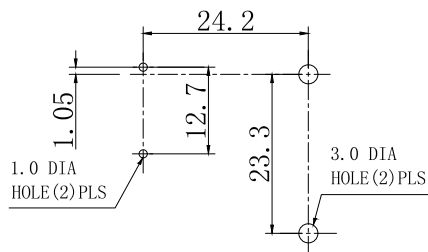
Ordering Code:

BBC - 7 - 3 - A - P - 2
 ① ② ③ ④ ⑤ ⑥

- ① BBC: Battery Holders
- ② BATTERY TYPE
5: AA SIZE
7: AAA SIZE
- ③ BATTERY NUMBERS
1: 1 piece
2: 2 Pieces
3: 3 pieces
4: 4 pieces
- ④ Packing
A:TRAY
- ⑤ P:With Pins
- ⑥ 2 : Series Number

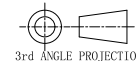


MOUNTING DETAIL



Unless Otherwise specified tolerance
 X. ±0.35 X.XX: ±0.20
 X.X: ±0.25 X.XXX: ±0.15

SCALE: As Shown UNIT: mm
 DRAW ZLA DATE 21/07/2022
 CHECK BobYang DATE 21/07/2022



Atkconn® ATKCONN ELECTRONICS CO., LTD
[Http://www.atkconn.com](http://www.atkconn.com)

TITLE: 3 PIECES AAA Battery Holders WITH PINS

DRAWING NO: BBC-7-3-A-P-2

PRODUCT NO: BBC-7-3-A-P-2

REV	DESCRIPTION	DATE
1		
2		
3		
4		
5		