

HSF



ROHS

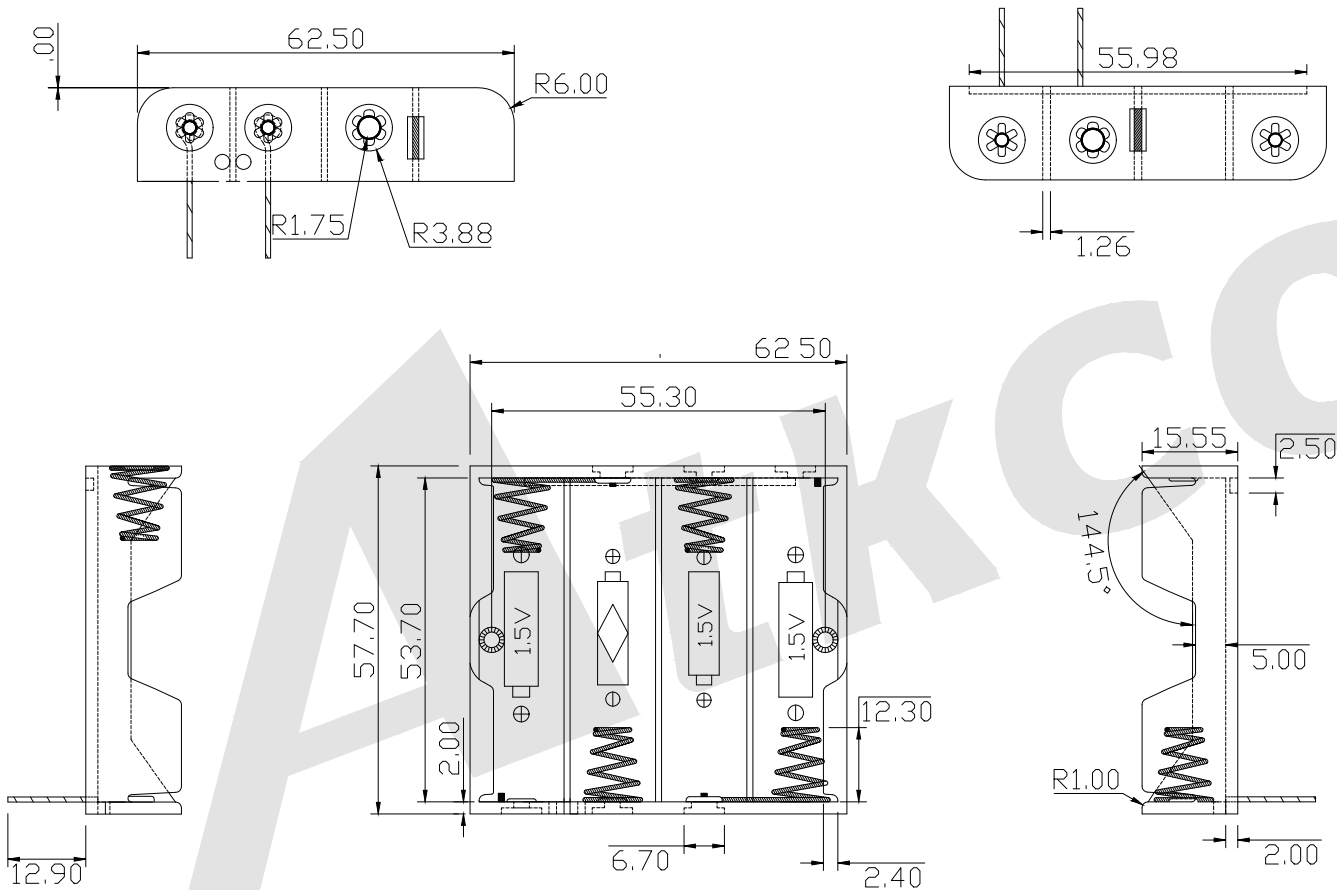
NOTES:

- 1、HOLDER:MATERIAL:POLYPROPYLENE.
- 2、SPRING:MATERIAL:MUSIC WIRE,0.8DIA
FINISH:NICKEL PLATE
- 3、SOLDED LUG:MATERIAL-BRASS
FINISH-NICKEL PLATE

Ordering Code:

BBC - 5 - 4 - A - P
 ① ② ③ ④ ⑤

- ① BBC: Battery Holders
- ② BATTERY TYPE
5: AA SIZE
7: AAA SIZE
- ③ BATTERY NUMBERS
1: 1 piece
2: 2 Pieces
3: 3 pieces
4: 4 pieces
- ④ Packing
A:TRAY
- ⑤ P:WITH PINS



Unless Otherwise specified tolerance
 X. ±0.35 X.XX: ±0.20
 X.X: ±0.25 X.XXX: ±0.15

Atkconn® ATKCONN ELECTRONICS CO., LTD
[Http://www.atkconn.com](http://www.atkconn.com)

SCALE: As Shown	UNIT: mm
DRAW ZLA	DATE 21/07/2022
CHECK BobYang	DATE 21/07/2022

TITLE: 4 PIECES AA Battery Holders WITH PINS

DRAWING NO: BBC-5-4-A-P

PRODUCT NO: BBC-5-4-A-P



REV	DESCRIPTION	DATE
1		
2		
3		
4		
5		