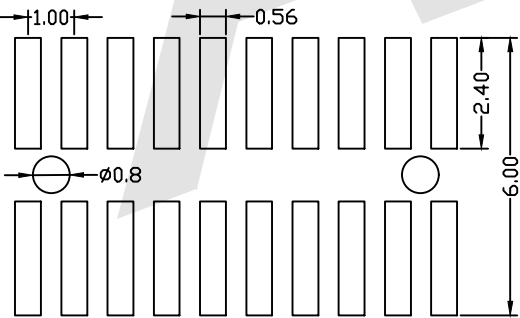
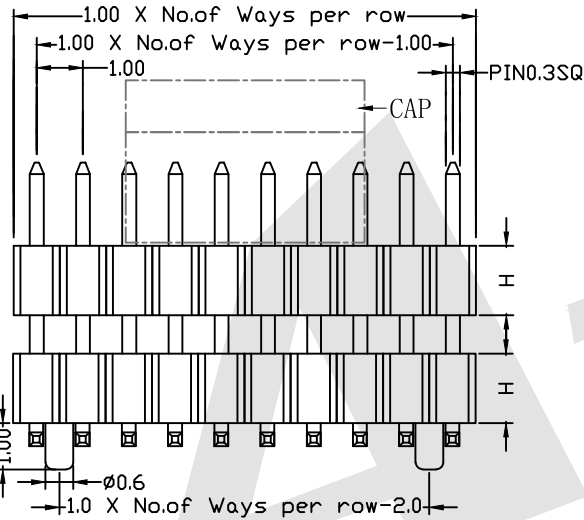
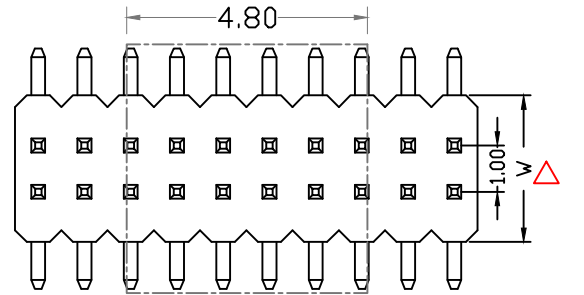


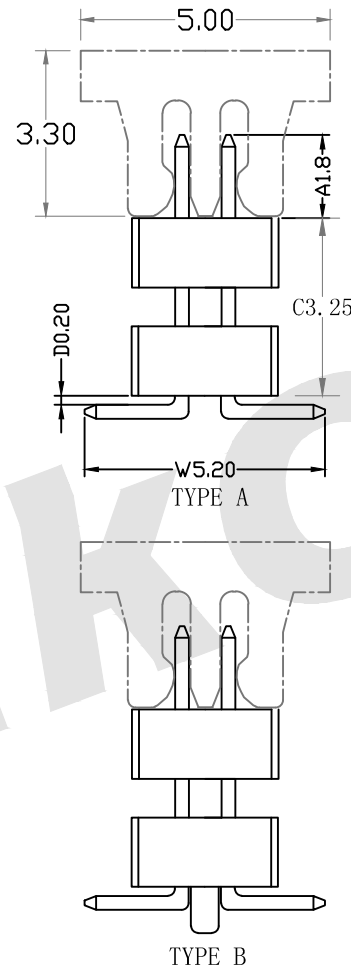
HSF



ROHS



P. C. B LAYOUT



TYPE B

SPECIFICATIONS:

Current Rating:	0.75Amp
Insulation Resistance:	1000M ohms min
Contact Resistance:	20M ohms max
Dielectric Withstanding:	AC500V
Operating Temperature:	-65° C to +125° C
Contact Material:	Brass
Insulator Material:	PA6T, UL94V-0, Color:Black

Ordering Code:

PHBM03 - X - X - D - A-C-D-W- X - X - X - X
 ① ② ③ ④ ⑤ ⑥ ⑦ ⑧ ⑨

- ① Series No:
- ② No. of Contacts:
02 To 100
- ③ Contact Plating:
G0:Gold flash S0:Selective
G1:3u" Gold S1:Selective 3u"
G2:5u" Gold S2:Selective 5u"
G3:10u" Gold S3:Selective 10u"
G4:15u" Gold S4:Selective 15u"
G5:30u" Gold S5:Selective 30u"
SN:Tin
- ④ Connector Type:
D: Dual
- ⑤ Pin Length:
A: 0180=1.80mm
C: 0325=3.25mm
D: 0020=0.20mm
W: 0520=5.20mm
Please mark the desired length in the A/C/D/W
- ⑥ Insulator Material:
B: PA6T
C: LCP
E: PA9T
- ⑦ Packing:
A: Tray
B: Bag
T: Tube
U: Tube+CAP
R: Tape&Reel
W: Tape&Reel+CAP
- ⑧ Plastic Height And Width:
A: H=1.0mm, W=3.17mm
B: H=1.5mm, W=3.17mm
C: H=1.5mm, W=2.3mm
- ⑨ With locating pegs option
A: Type A without pegs
B: Type B with pegs

Unless Otherwise specified tolerance
 X. ±0.35 X.XX: ±0.20
 X.X: ±0.25 X.XXX: ±0.15

SCALE: As Shown	UNIT: mm
DRAW ZLA	DATE 24/04/2022
CHECK BobYang	DATE 24/04/2022



Atkconn® ATKCONN ELECTRONICS CO., LTD
[Http://www.atkconn.com](http://www.atkconn.com)

TITLE:
1.00mm Pin Header Dual Row
SMT Type Dual Plastic

DRAWING NO: PHBM03-XXD-0180-0325-0020-0520-XXXX
 PRODUCT NO: PHBM03-XXD-0180-0325-0020-0520-XXXX

REV	DESCRIPTION	DATE