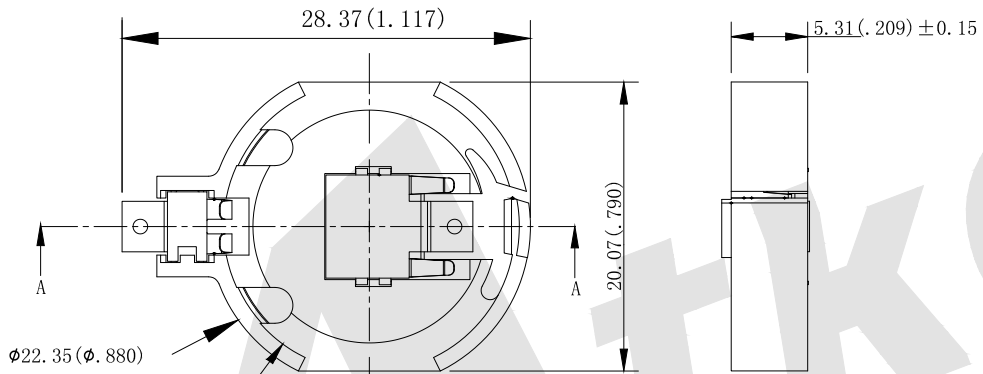


NOTES:

1. BASE:  
MAT' L-PA9T, UL 94V-0, BLACK COLOR
2. POS/T/VE CONTACTS:  
MAT' L-, 009[0.23] TH' K PHOSPHOR BRONZE  
FINISH:GOLD FLASH, OVER NICKEL PLATING
3. NEGAT/VE CONTACTS:  
MAT' L-, 009[0.23] TH' K STAINLESS STEEL  
FINISH:GOLD FLASH, OVER NICKEL PLATING

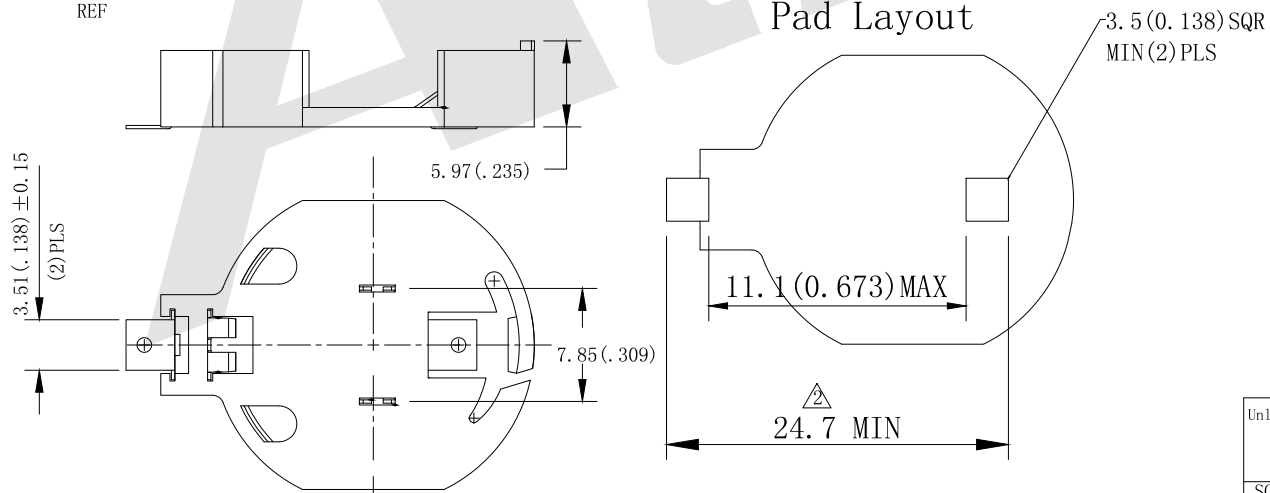


Order code:

BT — M — G0 — R — CR2032P  
 ① ② ③ ④ ⑤

- ① BT: Coin Cell Holders
- ② Appearance for the product  
M: SMT TYPE  
S: 180 TYPE  
R: 90 TYPE
- ③ Contact Plating  
SN: Tin  
G0: Gold flash  
G1: 3U" Gold  
G2: 5U" Gold  
G3: 10U" Gold  
G4: 15U" Gold  
G5: 30U" Gold
- ④ Packing method  
A: Tray packing  
R: Tape & reel packing
- ⑤ Product number  
CR2032P

Pad Layout



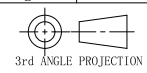
Unless Otherwise specified tolerance  
 X. ±0.35 X.XX: ±0.20  
 X.X: ±0.25 X.XXX: ±0.15

**Atkconn**® ATKCONN ELECTRONICS CO., LTD  
[Http://www.atkconn.com](http://www.atkconn.com)

SCALE: As Shown	UNIT: mm
DRAW ZLA	DATE 21/07/2022
CHECK BobYang	DATE 21/07/2022

TITLE:  
Coin Cell Holders For CR2032

DRAWING NO: BT-M-G0-R-CR2032P  
 PRODUCT NO: BT-M-G0-R-CR2032P



REV	DESCRIPTION	DATE
1		
2		
3		
4		
5		