



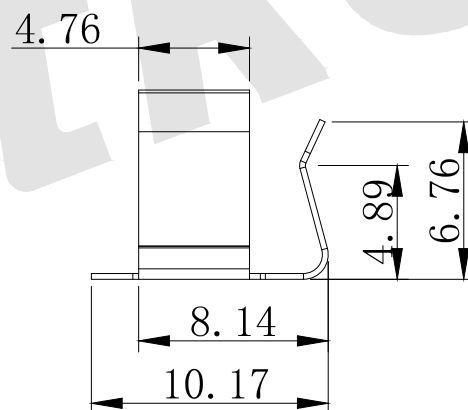
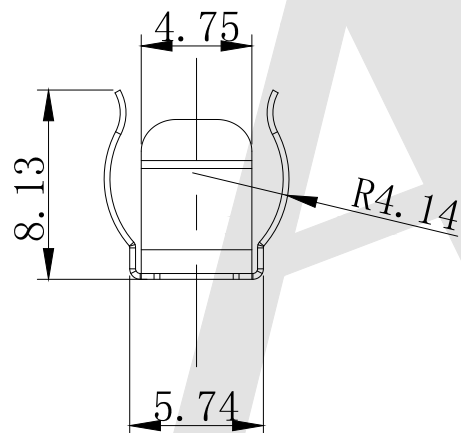
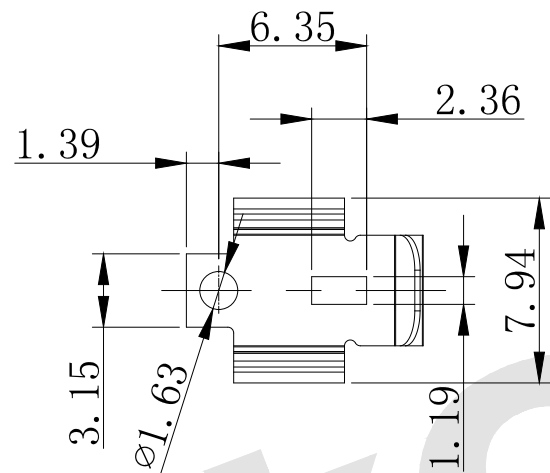
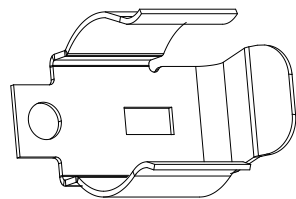
NOTES:

- 1. MATERIAL: ANNEALED SPRING STEEL, T=0.25mm.
- 2. PLATING:
80u" Min TIN PLATED OVERALL
50u" Min NICKEL PLATED UNDER OVERALL
- 3. THIS PRODUCT IS SUITABLE FOR AAA BATTERY CLIP

Order code:

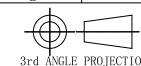
BS - M - XX - X - 50
 ① ② ③ ④ ⑤

- ① BS: Battery Contacts
- ② Apperance for the product
M: SMT TYPE
S: 180 TYPE
R: 90 TYPE
- ③ Contact Plating
SI: NICKEL PLATE
SN: Tin
G0: Gold flash
G1: 3u" Gold
G2: 5u" Gold
G3: 10u" Gold
G4: 15u" Gold
G5: 30u" Gold
- ④ Packing method
A: Tray packing
R: Tape & reel packing
B: Bag packing
- ⑤ Product number
50: 50 STYLE



Unless Otherwise specified tolerance
 X. ±0.35 X.XX: ±0.20
 X.X: ±0.25 X.XXX: ±0.15

SCALE: As Shown UNIT: mm
 DRAW: ZLA DATE: 21/07/2022
 CHECK: BobYang DATE: 21/07/2022



Atkconn® ATKCONN ELECTRONICS CO., LTD
[Http://www.atkconn.com](http://www.atkconn.com)

TITLE: Battery contact clip 50

DRAWING NO: BS-M-XX-X-50

PRODUCT NO: BS-M-XX-X-50

REV	DESCRIPTION	DATE
1		
2		
3		
4		
5		