



NOTE:

1, Material:

a. Housing: Glass Fibre UL94V-0

b. Contact: White

(Surface Plating: Sn 100u")

See Ordering Information

2, Electric:

a. Contact Resistance: 30 Milliohms Max

b. Insulation Resistance: 1000 MEGA OHMS Min

c. Dielectric Voltage: 500V AC One Sea Level

d. Operating Temperature: -55° To 105°

Order code:

BT	—	S	—	SN	—	R	—	CR2032L
①		②		③		④		⑤

① BT: Coin Cell Holders

② Apperance for the product

M: SMT TYPE

S: 180 TYPE

R: 90 TYPE

③ Contact Plating

SN: Tin

G0: Gold flash

G1: 3U" Gold

G2: 5U" Gold

G3: 10U" Gold

G4: 15U" Gold

G5: 30U" Gold

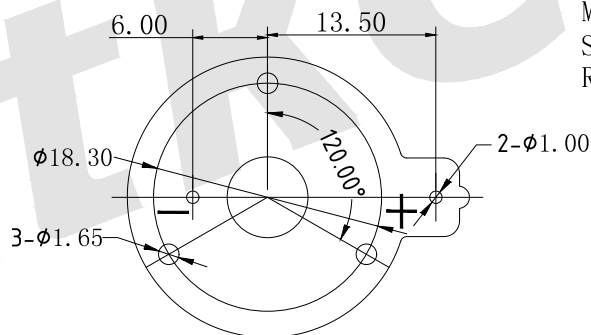
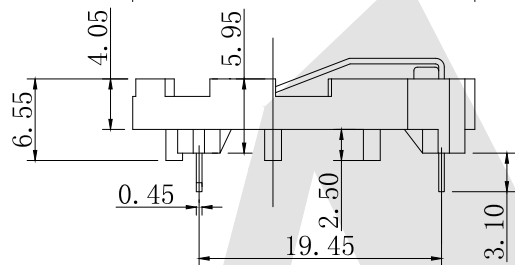
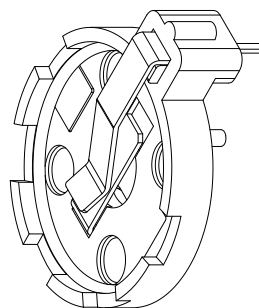
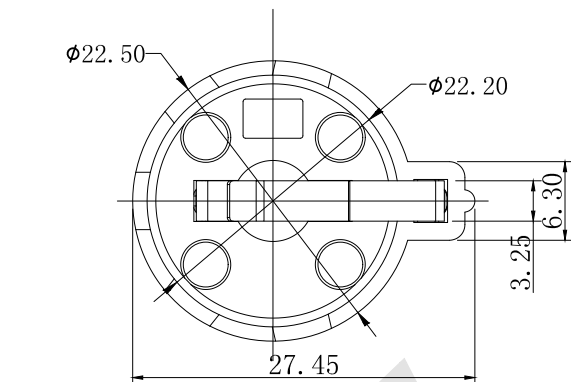
④ Packing method

A: Tray packing

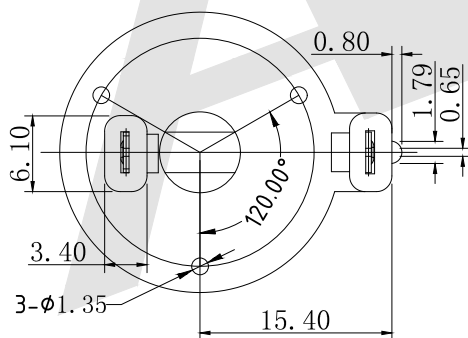
R: Tape & reel packing

⑤ Product number

CR2032L

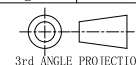


PCB Layout Diagram
Top View



Unless Otherwise specified tolerance
 X. ±0.35 X. XX: ±0.20
 X. X: ±0.25 X. XXX: ±0.15

SCALE: As Shown	UNIT: mm
DRAW ZLA	DATE 21/07/2022
CHECK BobYang	DATE 21/07/2022



Atkconn® ATKCONN ELECTRONICS CO., LTD
[Http://www.atkconn.com](http://www.atkconn.com)

TITLE: Coin Cell Holders For CR2032

DRAWING NO: BT-S-SN-R-CR2032L

PRODUCT NO: BT-S-SN-R-CR2032L

REV	DESCRIPTION	DATE
1		
2		
3		
4		
5		