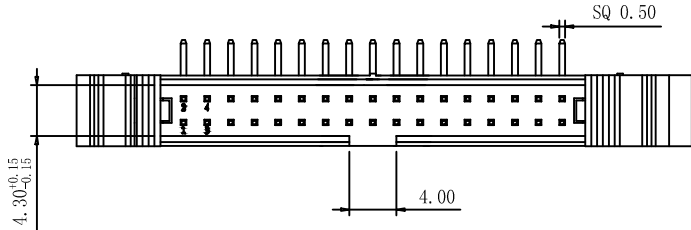


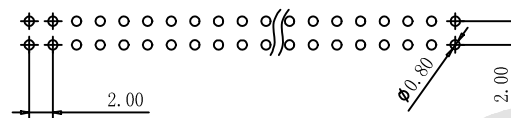


SPECIFICATION

Current Rating: 1.5Amp
 Insulation Resistance: 1000MΩ min
 Contact Resistance: 20MΩ max
 Withstand Voltage: 500V AC/DC
 Operating Temperature: -40°C to +105°C
 Contact Material: Brass
 Contact Plating: Au or Sn Over Ni
 Insulator Material: PA6T+30%GF UL 94V-0



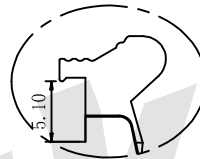
Recommended P.C.B Layout (Top Side)
 (PCB BOARD TOLERANCE ±0.05)



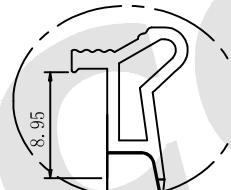
Ordering Code:

LHCR01 - X - X - X - X - X - X
 ① ② ③ ④ ⑤ ⑥ ⑦

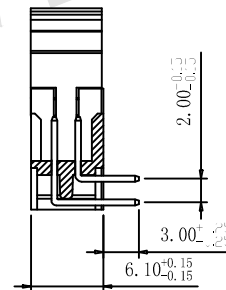
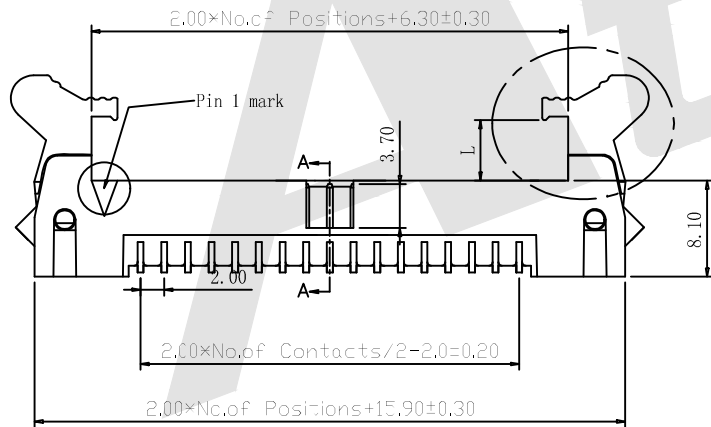
- ① Series No:
- ② No. of Contacts: 8 10 14, 16 20 24, 26 30 34, 40 44 50, 60 64 68
- ③ Contact Plating: G0:Gold flash S0:Selective, G1:3u" Gold S1:Selective 3u", G2:5u" Gold S2:Selective 5u", G3:10u" Gold S3:Selective 10u", G4:15u" Gold S4:Selective 15u", G5:30u" Gold S5:Selective 30u", SN:Tin
- ④ Color Insulator: B:Black, U:Blue, G:Gray
- ⑤ Insulator Material: A; PBT, B:PA6T, C:LCP, D:PA46, E:PA9T
- ⑥ Packing: A:Tray, B:Bag, T:Tube, U:Tube+CAP, R:Tape&Reel, W:Tape&Reel+CAP
- ⑦ A:Short Latch, B:Long Latch



Short Latch



Long Latch



SECTION A-A

Unless Otherwise specified tolerance
 X. ±0.35 X.XX: ±0.20
 X.X: ±0.25 X.XXX: ±0.15

SCALE: As Shown UNIT: mm

DRAW: ZLA DATE: 24/04/2022

CHECK: BobYang DATE: 24/04/2022

Atkconn® ATKCONN ELECTRONICS CO., LTD
[Http://www.atkconn.com](http://www.atkconn.com)

TITLE: 2.00mm Ejector Header 90°

DRAWING NO: LHCR01-XXXXXX

PRODUCT NO: LHCR01-XXXXXX



3rd ANGLE PROJECTION

REV DESCRIPTION

DATE

1 2 3 4 5 6 7 8