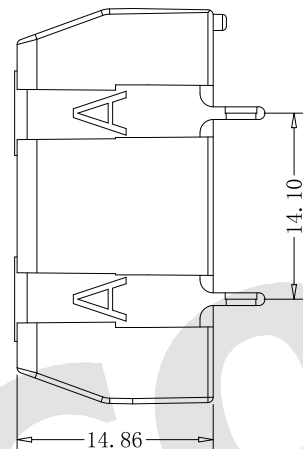
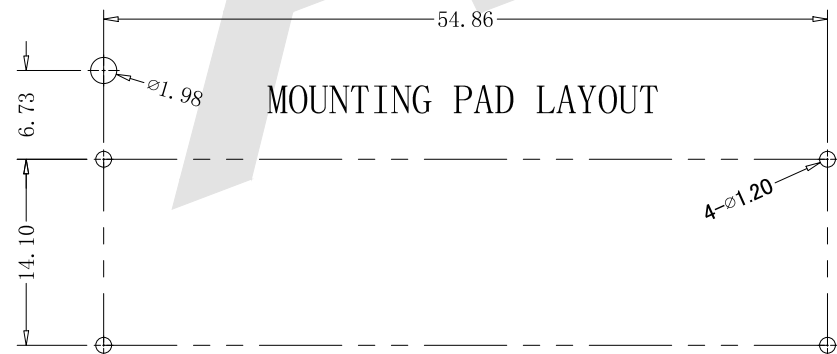
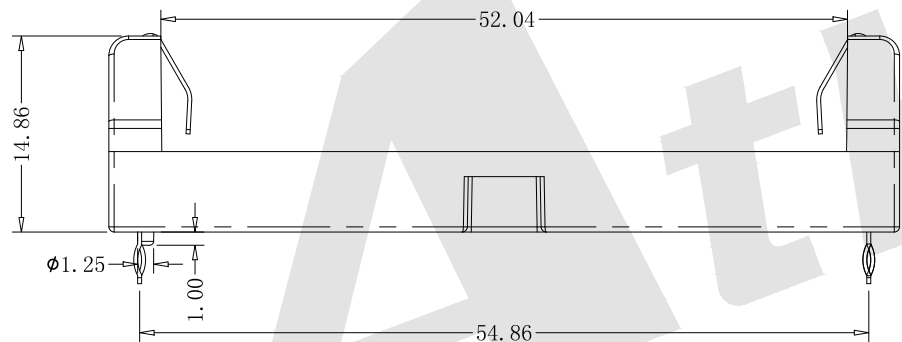
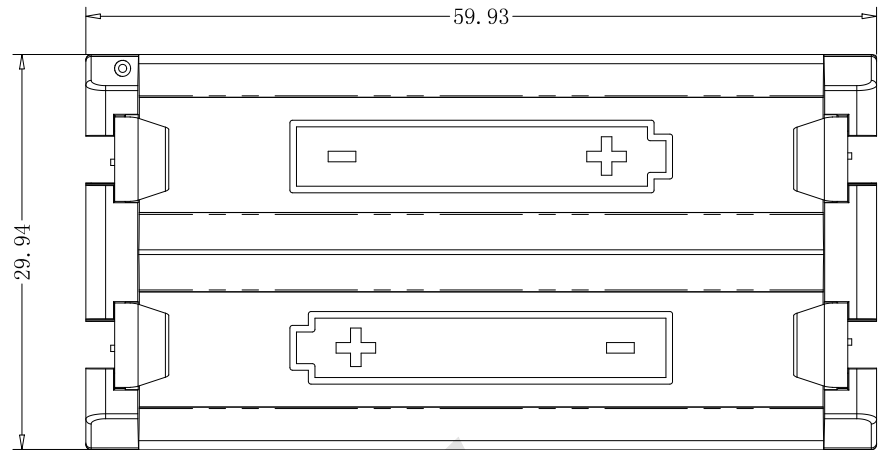


HSF



ROHS



NOTES:

- 1、 BASE:
MATERIAL:HEAT RESISTANCE NYLON, BLACK.
- 2、 CONTACT:
MATERIAL:0.30 THK SPRING STEEL
FINISH:TIN NICKEL PLATE.

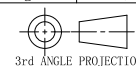
Ordering Code:

BBC - S - SN - A - 2AA-013
 ① ② ③ ④ ⑤

- ① BBC:Battery Holders
- ② Apperance for the product
S:180° TYPE
- ③ Contact Plating
NI: Nickel SN: Tin
G0:Gold flash G1:3U"Gold
G2:5U"Gold G3:10U"Gold
G4:15U"Gold G5:30U"Gold
- ④ Packing Method
A:Tray
R:Tape & reel packing
- ⑤ Product Number:
2AA-013

Unless Otherwise specified tolerance
 X. ±0.35 X.XX: ±0.20
 X.X: ±0.25 X.XXX: ±0.15

SCALE: UNIT:
 As Shown mm
 DRAW DATE
 ZLA 21/07/2022
 CHECK DATE
 BobYang 21/07/2022



Atkconn® ATKCONN ELECTRONICS CO., LTD
[Http://www.atkconn.com](http://www.atkconn.com)

TITLE:
 DUAL AA BATTERY HOLDER THM TYPE

DRAWING NO: BBC-S-SN-A-2AA-013

PRODUCT NO: BBC-S-SN-A-2AA-013

REV	DESCRIPTION	DATE
1		
2		
3		
4		
5		