

HSF



ROHS

SPECIFICATION

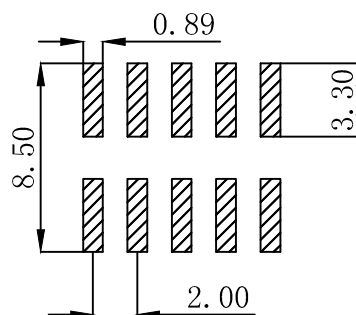
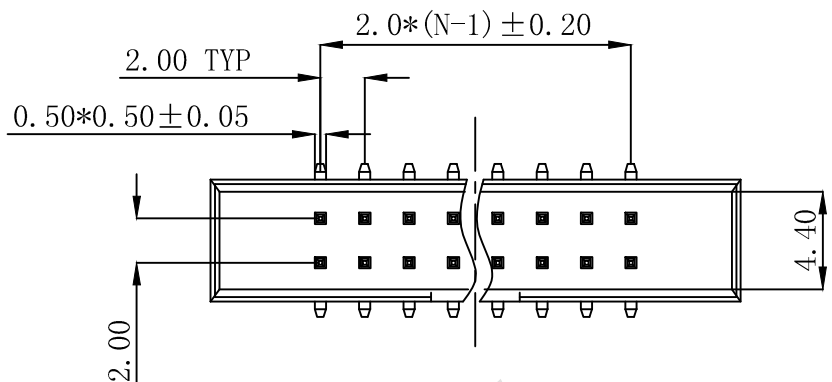
Current Rating: 2.0 Amp
 Insulation Resistance: 1000MΩ min
 Contact Resistance: 20MΩ max
 Withstand Voltage: 500V AC/DC
 Operating Temperature: -40°C to +105°C
 Contact Material: Brass
 Contact Plating: Au or Sn Over Ni
 Insulator Material: PA6T+30%GF UL 94V-0

Ordering Code:

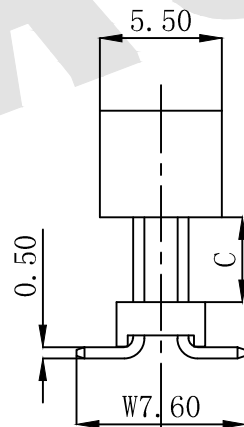
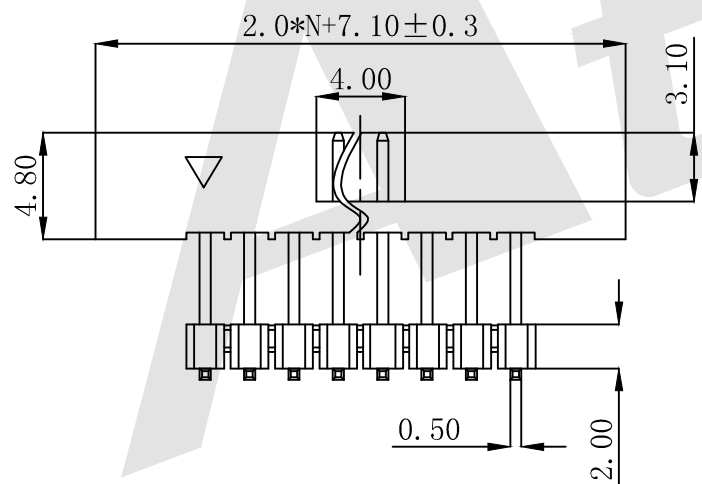
BHCM06 - X - X - X - X - X - W - C

① ② ③ ④ ⑤ ⑥ ⑦

- ① Series No:
- ② No. of Contacts
06 08 10 12 14 16 18
20 22 24 26 28 30 34
36 40 44 50 60 68
- ③ Contact Plating:
G0:Gold flash S0:Selective
G1:3U" Gold S1:Selective 3u"
G2:5u" Gold S2:Selective 5u"
G3:10u" Gold S3:Selective 10u"
G4:15u" Gold S4:Selective 15u"
G5:30u" Gold S5:Selective 30u"
SN: Tin
- ④ Color Insulator
B:Black
U:Blue
W:White
- ⑤ Insulator Material
B:PA6T
C:LCP
E:PA9T
- ⑥ Packing
A:Tray
B:Bag
T:Tube
U:Tube+CAP
R:Tape&Reel
W:Tape&Reel+CAP
- ⑦ Dimension option:
W:0760=7.60mm
C:0380=3.80mm

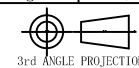


PCB LAYOUT



Unless Otherwise specified tolerance
 X. ±0.35 X.XX: ±0.20
 X.X: ±0.25 X.XXX: ±0.15

SCALE: As Shown UNIT: mm
 DRAW ZLA DATE 24/04/2022
 CHECK BobYang DATE 24/04/2022



Atkconn® ATKCONN ELECTRONICS CO., LTD
[Http://www.atkconn.com](http://www.atkconn.com)

TITLE:
2.00mm Box Header SMT H=4.8 Add Housing

DRAWING NO: BCHM06-XXXXXX

PRODUCT NO: BCHM06-XXXXXX

REV	DESCRIPTION	DATE