



NOTE:

- 1. CONTACT: MAT" L 0.30 (.012) TH"K PHOSPHOR BRONZE FINISH-BRIGHT TIN, OVER NICKEL
- 2. HOUSING: MAT" L HEAT RESISTANCE NYLON (UL94V-0)

Order code:

BT — S — SN — R — CR503A
 ① ② ③ ④ ⑤

① BT: Coin Cell Holders

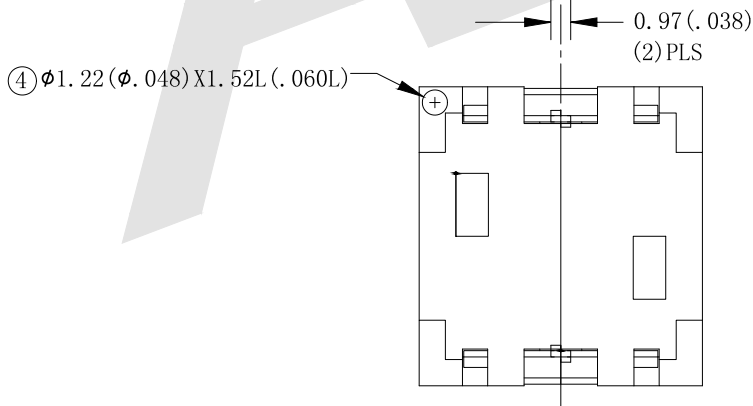
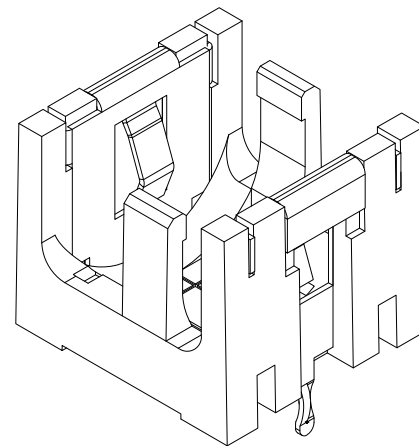
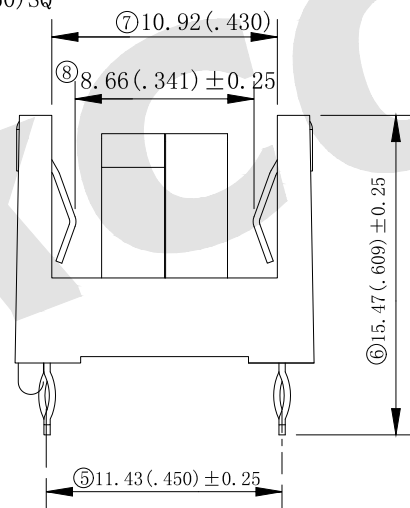
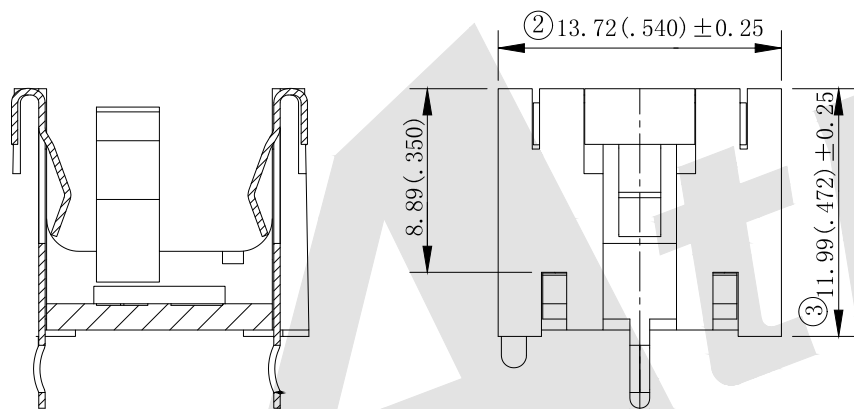
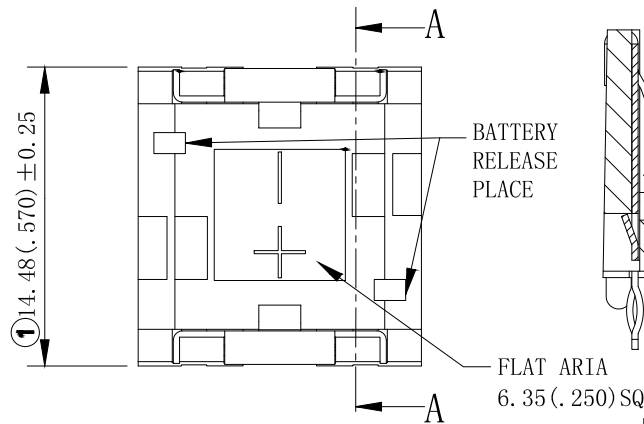
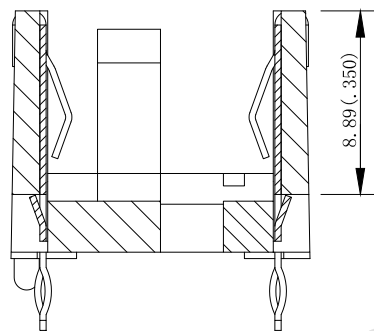
② Appearance for the product
 M: SMT TYPE
 S: 180 TYPE
 R: 90 TYPE

③ Contact Plating
 SN: Tin
 G0: Gold flash
 G1: 3U" Gold
 G2: 5U" Gold
 G3: 10U" Gold
 G4: 15U" Gold
 G5: 30U" Gold

④ Packing method
 A: Tray packing
 R: Tape & reel packing

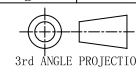
⑤ Product number
 CR503A

SECTION A-A



Unless Otherwise specified tolerance
 X. ± 0.35 X. XX: ± 0.20
 X. X: ± 0.25 X. XXX: ± 0.15

SCALE: As Shown UNIT: mm
 DRAW ZLA DATE 21/07/2022
 CHECK BobYang DATE 21/07/2022



Atkconn® ATKCONN ELECTRONICS CO., LTD
[Http://www.atkconn.com](http://www.atkconn.com)

TITLE: 1/3 N HORIZONTAL PC HOLDER

DRAWING NO: BT-S-SN-R-CR503A

PRODUCT NO: BT-S-SN-R-CR503A

REV	DESCRIPTION	DATE
1		
2		
3		
4		
5		