

HSF



ROHS

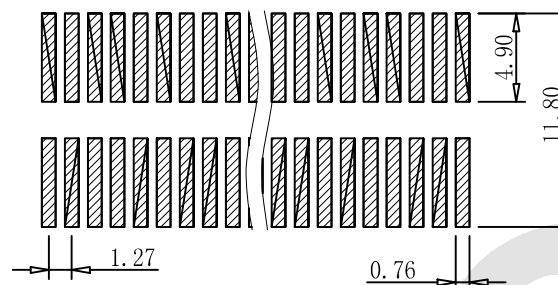
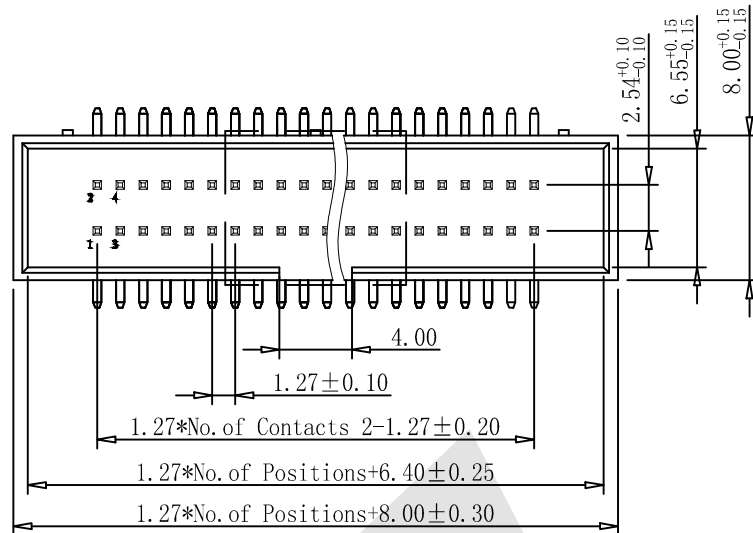
SPECIFICATION

Current Rating: 1.0Amp
 Insulation Resistance: 1000MΩ min
 Contact Resistance: 20MΩ max
 Withstand Voltage: 500V AC/DC
 Operating Temperature: -40°C to +105°C
 Contact Material: Brass
 Contact Plating: Au or Sn Over Ni
 Insulator Material: PA6T+30%GF UL 94V-0

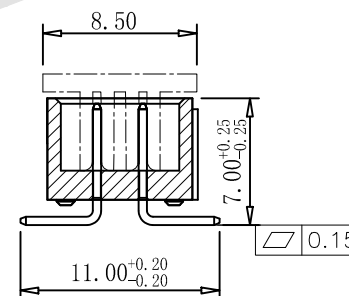
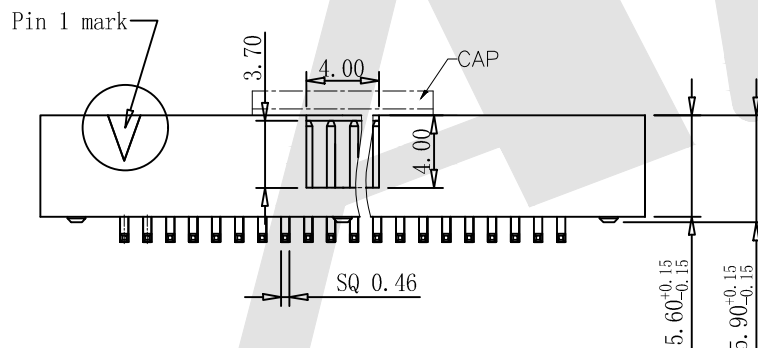
Ordering Code:

BHBM01 - X - X - X - X - X
 ① ② ③ ④ ⑤ ⑥

- ① Series No:
- ② No. of Contacts
 06 08 10 14
 16 20 26 30
 34 40 50 60
 80 100
- ③ Contact Plating:
 G0:Gold flash S0:Selective
 G1:3u" Gold S1:Selective 3u"
 G2:5u" Gold S2:Selective 5u"
 G3:10u "Gold S3:Selective 10u"
 G4:15u" Gold S4:Selective 15u"
 G5:30u" Gold S5:Selective 30u"
 SN: Tin
- ④ Color Insulator
 B:Black
 U:Blue
 W:White
- ⑤ Insulator Material
 B:PA6T
 C:LCP
 E:PA9T
- ⑥ Packing
 A:Tray
 B:Bag
 T:Tube
 U:Tube+CAP
 R:Tape&Reel
 W:Tape&Reel+CAP



Recommended P.C.B Layout (Top Side)
 (PCB BOARD TOLERANCE ± 0.05)



Unless Otherwise specified tolerance
 X. ± 0.35 X.XX: ± 0.20
 X.X: ± 0.25 X.XXX: ± 0.15

SCALE: As Shown UNIT: mm
 DRAW ZLA DATE 24/04/2022
 CHECK BobYang DATE 24/04/2022



Atkconn® ATKCONN ELECTRONICS CO., LTD
 Http://www.atkconn.com

TITLE:
 1.27*2.54mm Box Header SMT H=5.90

DRAWING NO: BHBM01-XXXXXX

PRODUCT NO: BHBM01-XXXXXX

REV	DESCRIPTION	DATE