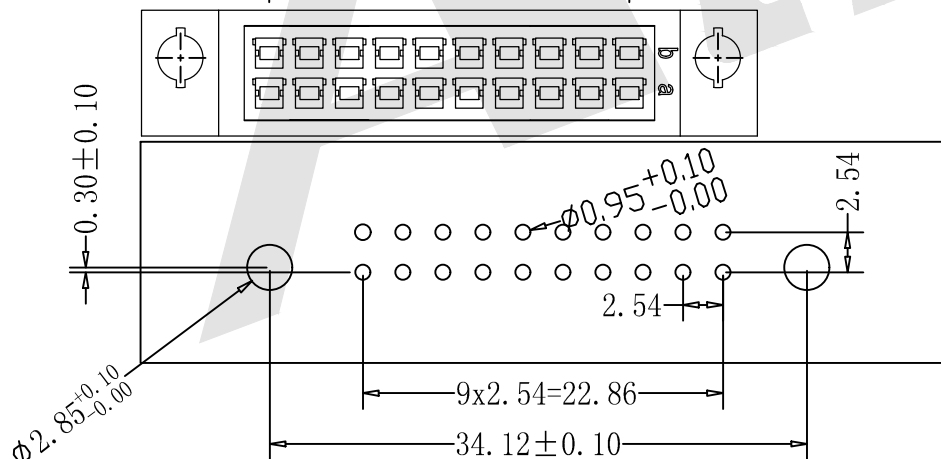
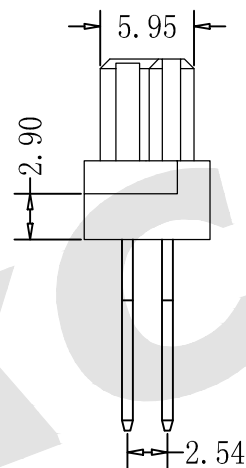
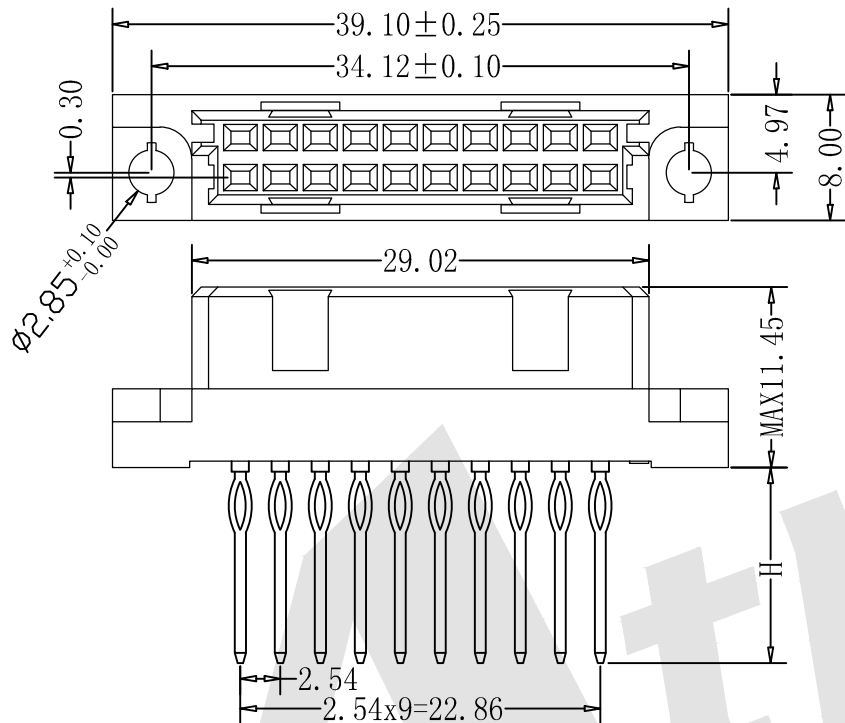


HSF



Recommended P. C. B. Layout

SPECIFICATION

Current Rating: 2.0Amp
 Insulation Resistance: 1000MΩ min.at DC 100V
 Contact Resistance: 20mΩ max
 Withstand Voltage: AC 1000V For 1 Minute
 Operating Temperature: -55° C to +105° C
 Contact Material: Brass
 Contact Plating: Au or Sn Over Ni
 Insulator Material: PBT+30%GF UL 94V-0
 Insertion Force: 20 pin max. 18N
 Withdrawal Force: 0.15N min. per individual contact

Ordering Code:

DFS - XX - X - X - X - 215
 ① ② ③ ④ ⑤ ⑥

- ① Series No:
- ② No. of Contacts
20p 10p
- ③ Termination
I: Straight press-fit tail length H=5.0mm
M: Straight press-fit tail length H=13.0mm
N: Straight press-fit tail length H=17.0mm
- ④ Rows Loaded With Contacts
A: Row a+b C: Row a
F1: Row a+b(2, 4, 6...)
- ⑤ Contact Plating
G0: Gold flash
S0: Gold flash/Ni
G1: 3u" Gold
S1: 3u" Gold/Ni
G2: 5u" Gold
S2: 5u" Gold/Ni
G3: 10u" Gold
S3: 10u" Gold/Ni
G4: 15u" Gold
S4: 15u" Gold/Ni
G5: 30u" Gold
S5: 30u" Gold/Ni
SN: Tin
- ⑥ Series number
215

Code	Number Of Contacts	Contact Arrangement	Rows With Contacts	Pitch
A	20	a b	a b	2.54
C	10	a b	a-	2.54
F1	10	a b	a b	5.08

Unless Otherwise specified tolerance
 X. ±0.35 X.XX: ±0.20
 X.X: ±0.25 X.XXX: ±0.15

Atkconn® ATKCONN ELECTRONICS CO., LTD
 Http://www.atkconn.com

SCALE: As Shown UNIT: mm
 DRAW ZLA DATE 24/04/2022
 CHECK BobYang DATE 24/04/2022

TITLE:
 DIN41612 Vertical Female Type 1/3B Compliant
 Press-Fit Connectors 20 Positions



DRAWING NO: DFS-XX-XXX-215
 PRODUCT NO: DFS-XX-XXX-215

REV	DESCRIPTION	DATE