



NOTE:

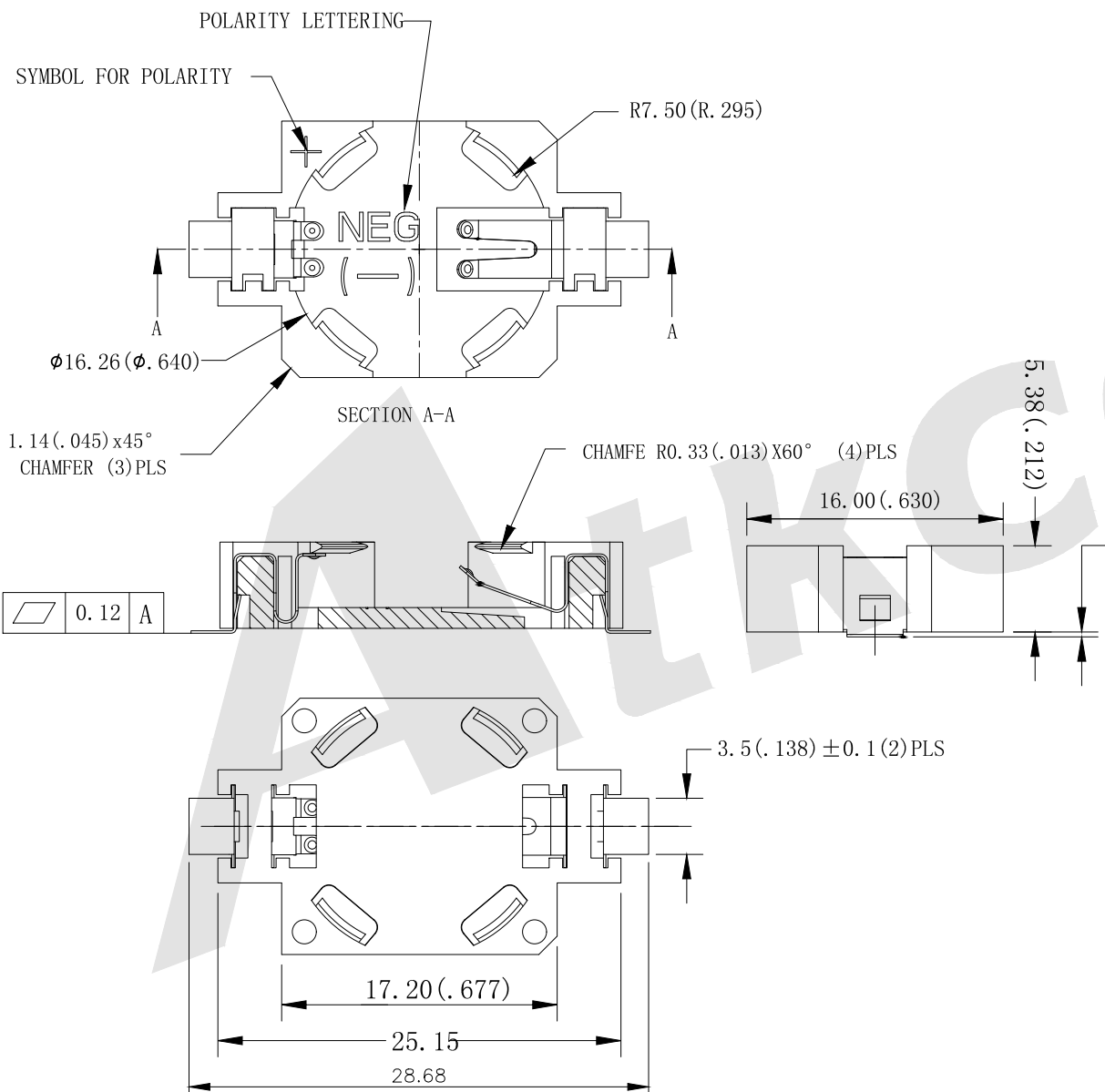
- 1, BASE MAT'L: LCP 30% Glass Filled , UL94V-0
- 2. CONTACTS:  
MAT'L: 0.15mm TH' K PHOSPHOR BRONZE  
FINISH: 1 u" GOLD FLASH, OVER NICKEL PLATE

Order code:

BT - M - G0 - R - CR1632A  
 ① ② ③ ④ ⑤

- ① BT: Coin Cell Holders
- ② Appearance for the product  
M: SMT TYPE  
S: 180 TYPE  
R: 90 TYPE
- ③ Contact Plating  
SN: Tin  
G0: Gold flash  
G1: 3U" Gold  
G2: 5U" Gold  
G3: 10U" Gold  
G4: 15U" Gold  
G5: 30U" Gold
- ④ Packing method  
A: Tray packing  
R: Tape & reel packing
- ⑤ Product number  
CR1632A

0.025  
0.127 CONTACT MUST PROTRUDE  
BEYOND BASE TO MAX. OF 0.13 (.005)



Unless Otherwise specified tolerance  
 X. ±0.35 X.XX: ±0.20  
 X.X: ±0.25 X.XXX: ±0.15

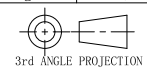
**Atkconn**® ATKCONN ELECTRONICS CO., LTD  
[Http://www.atkconn.com](http://www.atkconn.com)

SCALE: As Shown	UNIT: mm
DRAW ZLA	DATE 21/07/2022
CHECK BobYang	DATE 21/07/2022

TITLE:  
Coin Cell Holders For CR1632

DRAWING NO: BT-M-G0-R-CR1632A

PRODUCT NO: BT-M-G0-R-CR1632A



REV	DESCRIPTION	DATE
1		
2		
3		
4		
5		