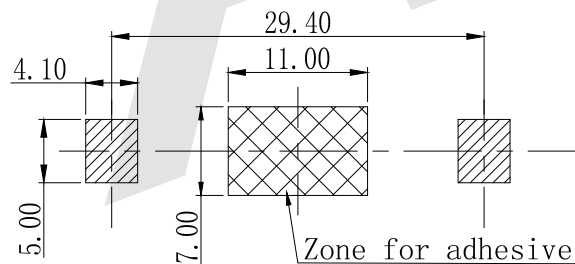
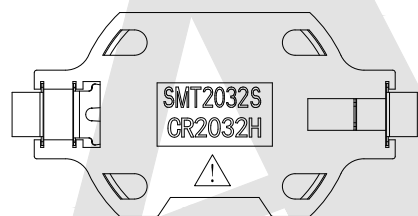
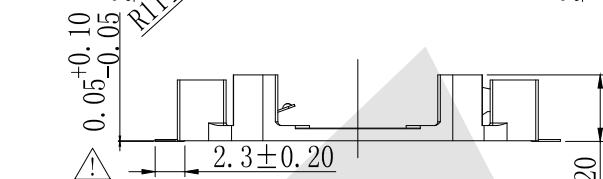
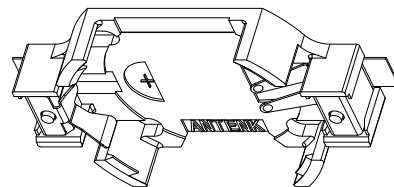
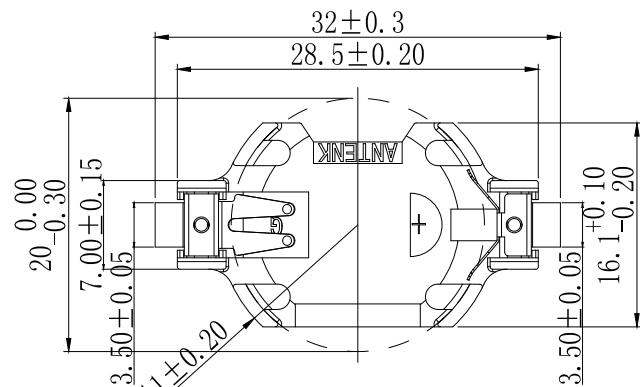


HSF



Zone for adhesive fixation  
(as reference only)

PCB LAYOUT (TOP VIEW)

NOTES:

- Housing:  
LCP+30%G.F, Colr:Nature, UL94V-0
- Contact: Spring Stainless  
Steel, T=0.15mm  
Solder area: 200u" Tin Plated  
50u" Nickel Min
- Working Temp: -30° C to +70° C

Order code:

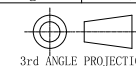
BT - M - SN - X - SMT2032S

① ② ③ ④ ⑤

- BT:Coin Cell Holders
- Apperance for the product  
M:SMT TYPE  
S:180 TYPE  
R:90 TYPE
- Contact Plating  
SN:tin  
G0:Gold flash  
G1: 3U" Gold  
G2: 5U" Gold  
G3:10U" Gold  
G4:15U" Gold  
G5:30U" Gold
- Packing method  
A: Tray packing  
R: Tape & reel packing
- Product number  
SMT2032S

Unless Otherwise specified tolerance  
X. ±0.35 X.XX:±0.20  
X.X:±0.25 X.XXX:±0.15

SCALE: As Shown UNIT: mm  
DRAW: ZLA DATE: 21/07/2022  
CHECK: BobYang DATE: 21/07/2022



**Atkconn**® ATKCONN ELECTRONICS CO., LTD  
Http://www.atkconn.com

TITLE:  
Coin Cell Holders Right Angle SMD For 2032

DRAWING NO: BT-M-SN-A-SMT2032S

PRODUCT NO: BT-M-SN-A-SMT2032S

REV	DESCRIPTION	DATE
1		
2		
3		