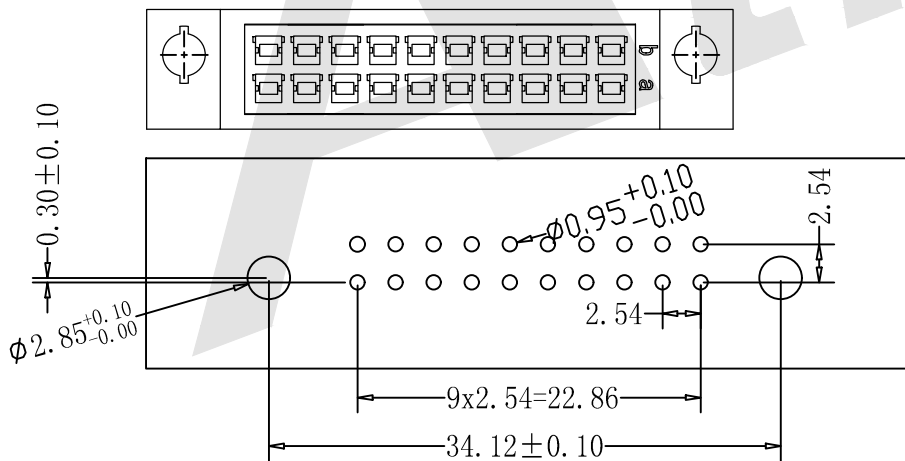
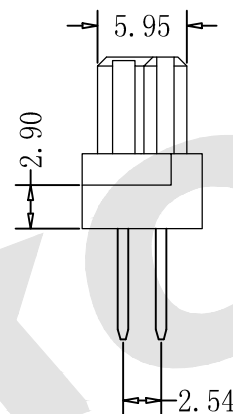
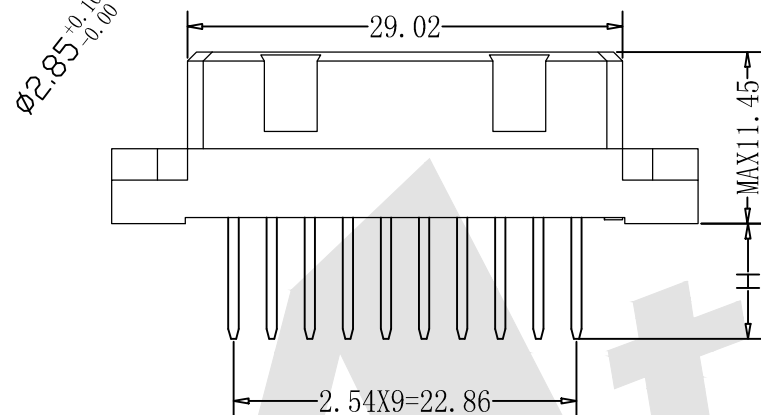
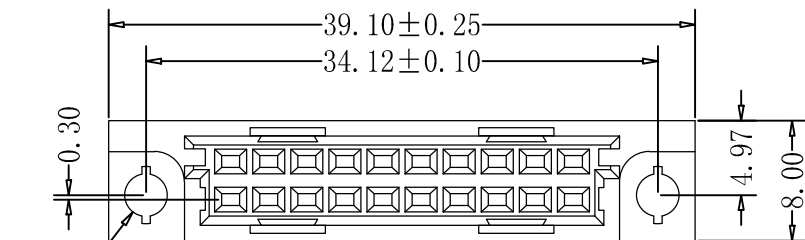


HSF



ROHS



Recommended P.C.B. Layout

SPECIFICATION

Current Rating: 2.0Amp
 Insulation Resistance: 1000MΩ min.at DC 100V
 Contact Resistance: 20mΩ max
 Withstand Voltage: AC 1000V For 1 Minute
 Operating Temperature: -55° C to +105° C
 Contact Material: Brass
 Contact Plating: Au or Sn Over Ni
 Insulator Material: PBT+30%GF UL 94V-0
 Insertion Force: 20 pin max.18N
 Withdrawal Force: 0.15N min.per individual contact

Ordering Code:

DFS - XX - X - X - X -214

① ② ③ ④ ⑤ ⑥

① Series No:

② No. of Contacts

20p 10p

③ Termination

- A: Straight solder tail length H=2.5mm
- E: Straight tail length H=4.0mm
- I: Straight tail length H=5.0mm
- K: Straight tail length H=7.4mm
- M: Wrap post tail length H=13.0mm
- N: Wrap post tail length H=17.0mm
- O: Wrap post tail length H=19.4mm

④ Rows Loaded With Contacts

- A: Row a+b C: Row a-
- F1: Row a+b(2, 4, 6...)

⑤ Contact Plating

- G0: Gold flash
- S0: Gold flash/Ni
- G1: 3u" Gold
- G2: 5u" Gold
- S2: 5u" Gold/Ni
- G3: 10u" Gold
- S3: 10u" Gold/Ni
- G4: 15u" Gold
- S4: 15u" Gold/Ni
- G5: 30u" Gold
- S5: 30u" Gold/Ni
- SN: Tin

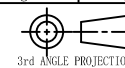
⑥ Series number

214

Code	Number Of Contacts	Contact Arrangement	Rows With Contacts	Pitch
A	20	a b	a b	2.54
C	10	a b	a-	2.54
F1	10	a b	a b	5.08

Unless Otherwise specified tolerance
 X. ±0.35 X.XX: ±0.20
 X.X: ±0.25 X.XXX: ±0.15

SCALE: As Shown UNIT: mm
 DRAW ZLA DATE 24/04/2022
 CHECK BobYang DATE 24/04/2022



Atkconn® ATKCONN ELECTRONICS CO.,LTD
 Http://www.atkconn.com

TITLE: DIN 41612 Vertical Female Type 1/3B
 Connectors 20 Positions

DRAWING NO: DFS-XX-XXX-214

PRODUCT NO: DFS-XX-XXX-214

REV	DESCRIPTION	DATE