



### SPECIFICATION

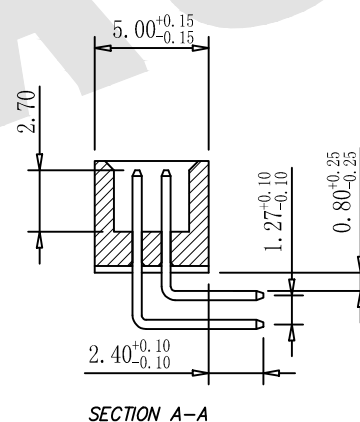
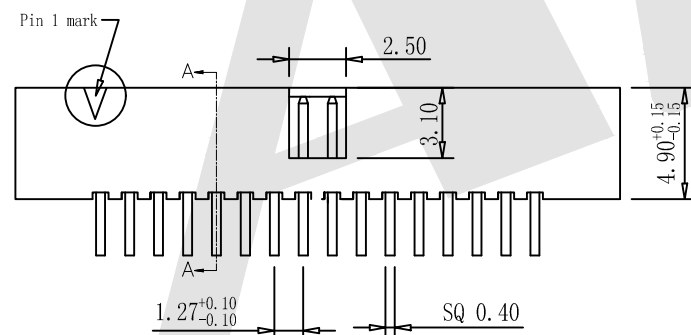
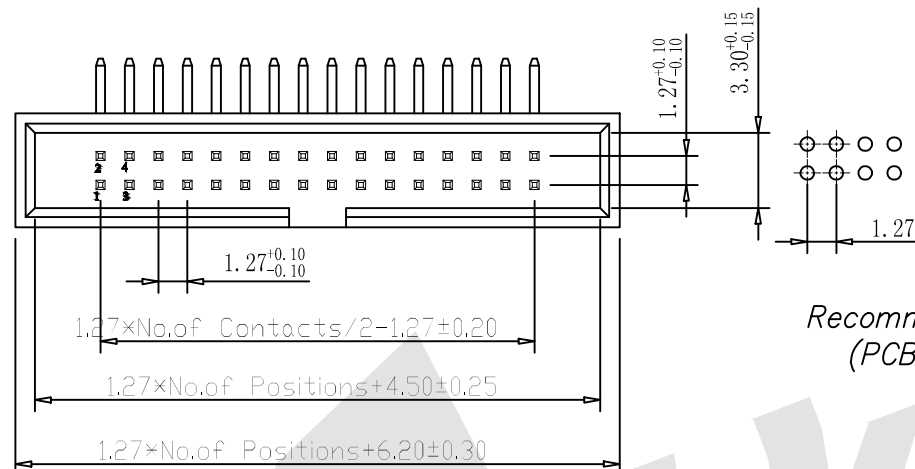
Current Rating: 1Amp  
 Insulation Resistance: 1000MΩ min  
 Contact Resistance: 20MΩ max  
 Withstand Voltage: 500V AC/DC  
 Operating Temperature: -40°C to +105°C  
 Contact Material: Brass  
 Contact Plating: Au or Sn Over Ni  
 Insulator Material: PA6T+30%GF UL 94V-0

Ordering Code:

BHAR02 - X - X - X - X - X  
 ① ② ③ ④ ⑤ ⑥

- ① Series No:
- ② No. of Contacts  
06 08 10 14 16  
20 24 26 30 32  
34 40 44 50 60  
64 80 100
- ③ Contact Plating:  
G0:Gold flash S0:Selective  
G1:3U" Gold S1:Selective 3u"  
G2:5u" Gold S2:Selective 5u"  
G3:10u" Gold S3:Selective 10u"  
G4:15u" Gold S4:Selective 15u"  
G5:30u" Gold S5:Selective 30u"  
SN:Tin
- ④ Color Insulator  
B:Black  
U:Blue  
W:White
- ⑤ Insulator Material  
A:PA6T  
B:LCP  
E:PA9T
- ⑥ Packing  
A:Tray  
B:Bag  
T:Tube  
U:Tube+CAP  
R:Tape&Reel  
W:Tape&Reel+CAP

Recommended P.C.B Layout (Top Side)  
 (PCB BOARD TOLERANCE ±0.05)



Unless Otherwise specified tolerance  
 X.XX: ±0.20  
 X.X: ±0.25 X.XXX: ±0.15  
 X.XX: ±0.35

**Atkconn**® ATKCONN ELECTRONICS CO.,LTD  
[Http://www.atkconn.com](http://www.atkconn.com)

SCALE: As Shown	UNIT: mm
DRAW ZLA	DATE 24/04/2022
CHECK BobYang	DATE 24/04/2022

TITLE: 1.27mm Box Header 90° H=4.90  
 DRAWING NO: BHAR02-XXXX  
 PRODUCT NO: BHAR02-XXXX



REV	DESCRIPTION	DATE
1		
2		
3		
4		
5		