

HSF



ROHS

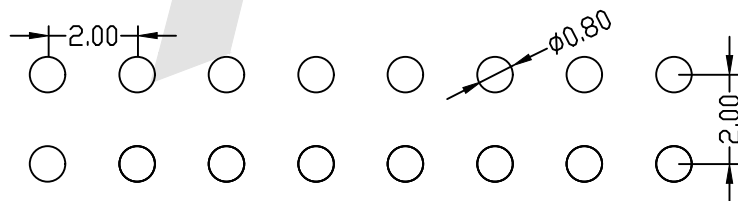
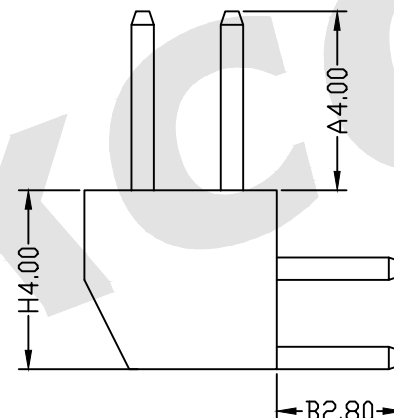
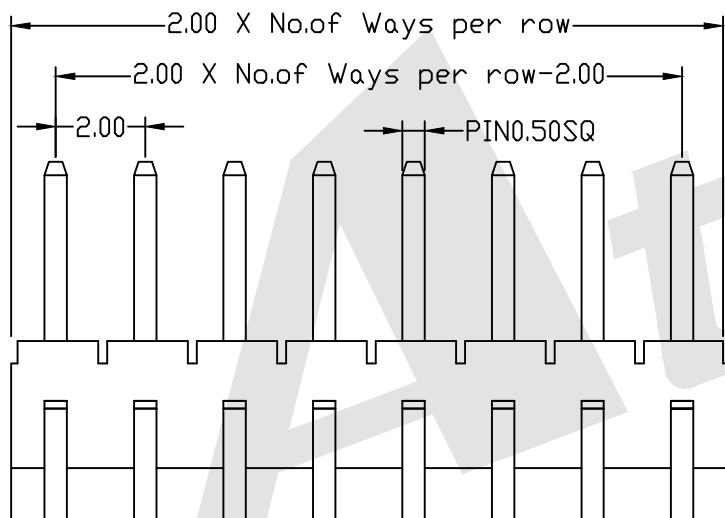
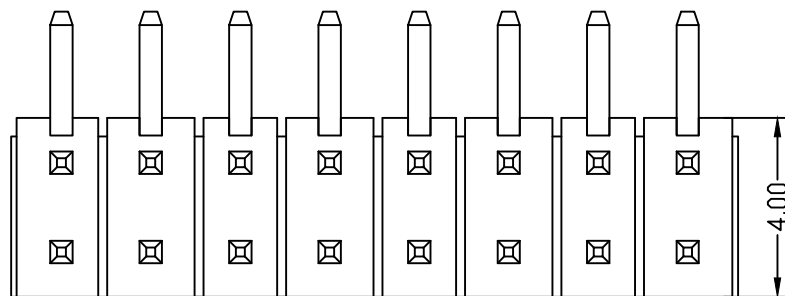
SPECIFICATION

Current Rating: 1.5 Amp
 Insulation Resistance: 1000M ohms min
 Contact Resistance: 20M ohms max
 Dielectric Withstanding: AC500V
 Operating Temperature: -65°C to +125°C
 Contact Material: Brass
 Insulator Material: PA6T,UL 94V-0 Black

Ordering Code:

PHDR05 - X - X - D - A-B - X - X
 ① ② ③ ④ ⑤ ⑥ ⑦

- ① Series No:
- ② No. of Contacts: 02 To 80
- ③ Contact Plating:
 G0:Gold flash S0:Selective
 G1:3U" Gold S1:Selective 3u"
 G2:5u" Gold S2:Selective 5u"
 G3:10u" Gold S3:Selective 10u"
 G4:15u" Gold S4:Selective 15u"
 G5:30u" Gold S5:Selective 30u"
 SN:Tin
- ④ Connector Type: D: Dual
- ⑤ Pin Length:
 A:0400=4.00mm
 B:0280=2.80mm
 Please mark the desired length in the A/B
- ⑥ Insulator Material:
 A:PBT
 B:PA6T
 C:LCP
 D:PA46
 E:PA9T
- ⑦ Packing:
 A:Tray
 B:Bag
 T:Tube
 U:Tube+CAP
 R:Tape&Reel
 W:Tape&Reel+CAP



PCB LAYOUT

Unless Otherwise specified tolerance
 X. XX: ±0.20
 X. X: ±0.25 X. XXX: ±0.15

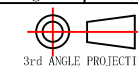
SCALE: As Shown	UNIT: mm
DRAW ZLA	DATE 24/04/2022
CHECK BobYang	DATE 24/04/2022

Atkconn® ATKCONN ELECTRONICS CO., LTD
[Http://www.atkconn.com](http://www.atkconn.com)

TITLE:
2.00mm Pin Header DualRow Angle Type H:4.0

DRAWING NO: PHDR05-XXD-0400-0280-XX

PRODUCT NO: PHDR05-XXD-0400-0280-XX



REV	DESCRIPTION	DATE