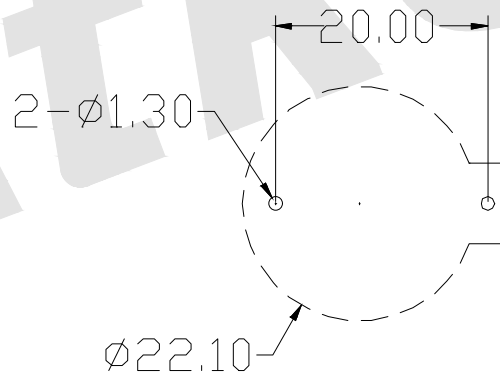
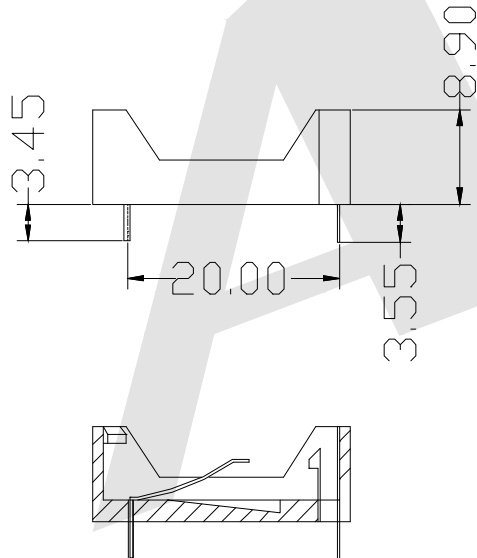
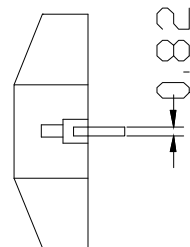
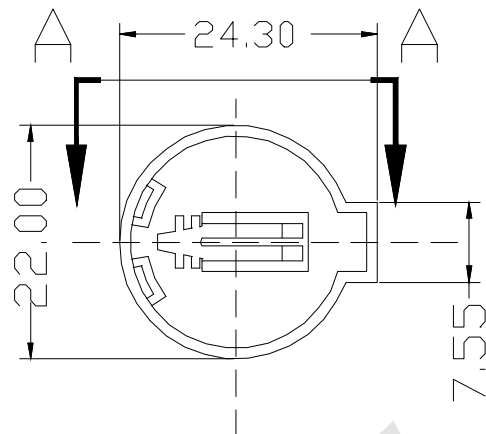


HSF



RoHS



PCB HOLE LAYOUT

SEC A-A

NOTE:

1, Material:

- a. Housing: PBTVO + GF BF
- b. Contact: C2680 (Surface Plating: Sn 10u")

2, Electric:

- a. Contact Resistance: 30 Milliohms Max
- b. Insulation Resistance: 1000 MEGA OHMS Min
- c. Dielectric Voltage: 500V AC One Sea Level
- d. Operating Temperature: -55° To 105°

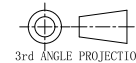
Order code:

BT — S — SN — A — CR2032G
 ① — ② — ③ — ④ — ⑤

- ① BT: Coin Cell Holders
- ② Appearance for the product
M: SMT TYPE
S: 180 TYPE
R: 90 TYPE
- ③ Contact Plating
SN: Tin
G0: Gold flash
G1: 3U" Gold
G2: 5U" Gold
G3: 10U" Gold
G4: 15U" Gold
G5: 30U" Gold
- ④ Packing method
A: Tray packing
R: Tape & reel packing
- ⑤ Product number
CR2032G

Unless Otherwise specified tolerance
 X. ±0.35 X.XX: ±0.20
 X.X: ±0.25 X.XXX: ±0.15

SCALE: As Shown UNIT: mm
 DRAW ZLA DATE 21/07/2022
 CHECK BobYang DATE 21/07/2022



Atkconn® ATKCONN ELECTRONICS CO., LTD
[Http://www.atkconn.com](http://www.atkconn.com)

TITLE: Coin Cell Holders For CR2032

DRAWING NO: BT-S-SN-A-CR2032G

PRODUCT NO: BT-S-SN-A-CR2032G

REV	DESCRIPTION	DATE
1		
2		