

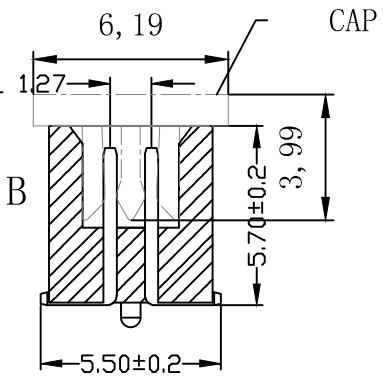
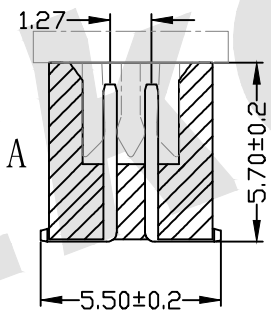
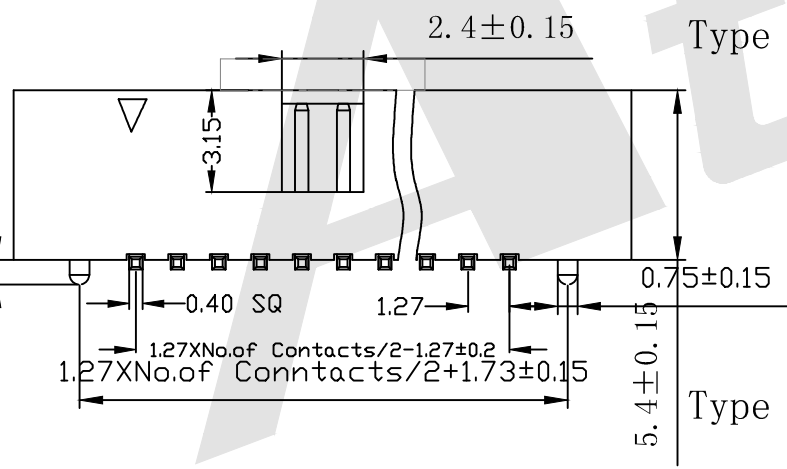
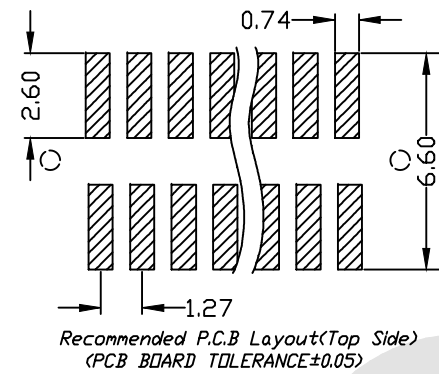
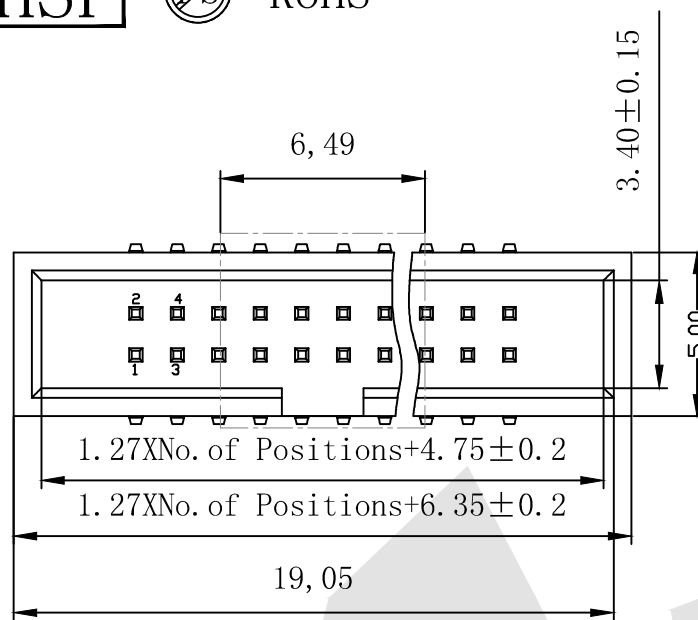
HSF



ROHS

SPECIFICATION

Current Rating: 1Amp
 Insulation Resistance: 1000MΩmin
 Contact Resistance: 20mΩmax
 Withstand Voltage: 500V AC/DC
 Contact Material: Brass
 Contact Plating: Au or Sn Over Ni
 Insulator Material: PA6T+30%GF UL 94V-0
 Operating Temperature: -40° C to +105° C
 Available For Poles at Present: 4P, 10P, 12P, 20P, 22P, 24P, 26P, 30P, 40P, 44P



Ordering Code:

BHAM05 - X - X - X - X - X - X
 ① ② ③ ④ ⑤ ⑥ ⑦

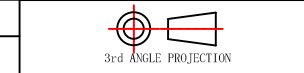
- ① Series No:
- ② No. of Contacts: 10-100P
- ③ Contact Plating: G0:Gold flash S0:Selective; G1:3U" Gold S1:Selective 3u"; G2:5u" Gold S2:Selective 5u"; G3:10u" Gold S3:Selective 10u"; G4:15u" Gold S4:Selective 15u"; G5:30u" Gold S5:Selective 30u"; SN: Tin
- ④ Color Insulator: B:Black; U:Blue; W:White
- ⑤ Insulator Material: B:PA6T; C:LCP; E:PA9T
- ⑥ Packing: A:Tray; B:Bag; T:Tube; U:Tube+CAP; R:Tape&Reel; W:Tape&Reel+CAP
- ⑦ With locating pegs option: A:Type A without pegs; B:Type B with pegs

Unless Otherwise specified tolerance
 X. XX: ±0.20
 X. X: ±0.25 X. XXX: ±0.15
 X. XX: ±0.35

Atkconn® ATKCONN ELECTRONICS CO., LTD
[Http://www.atkconn.com](http://www.atkconn.com)

SCALE: As Shown UNIT: mm
 DRAW ZLA DATE 24/04/2022
 CHECK BobYang DATE 24/04/2022

TITLE: 1.27mm Box Header SMT, H=5.4mm



DRAWING NO: BHAM05-XXXXXXX
 PRODUCT NO: BHAM05-XXXXXXX

REV	DESCRIPTION	DATE
1		
2		
3		
4		
5		