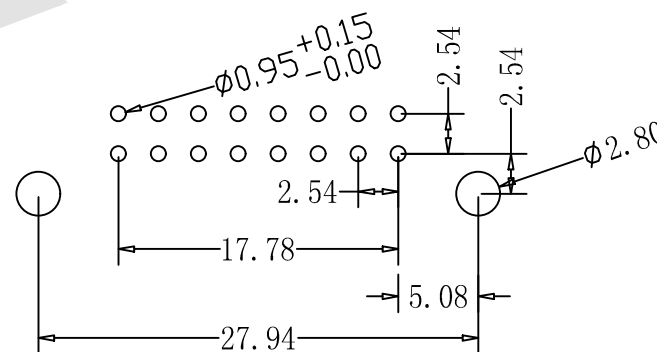
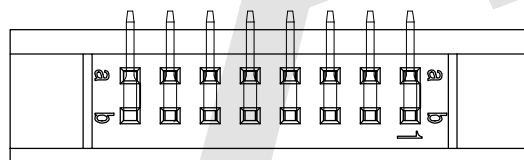
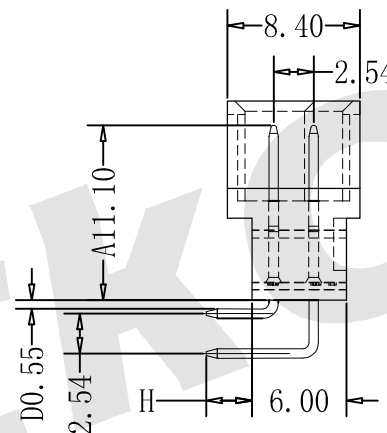
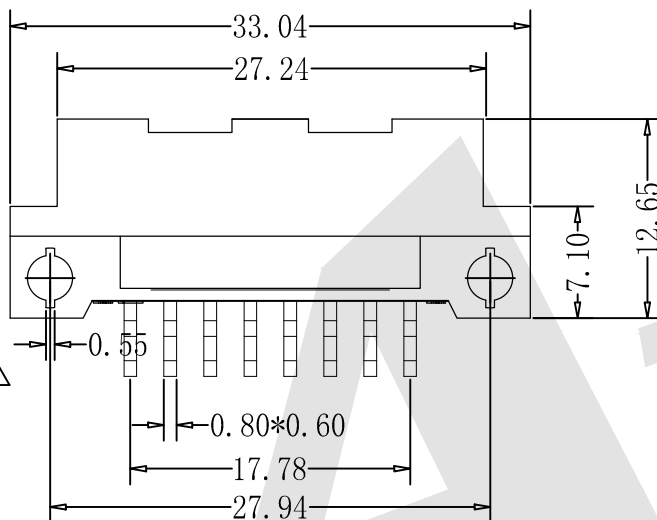
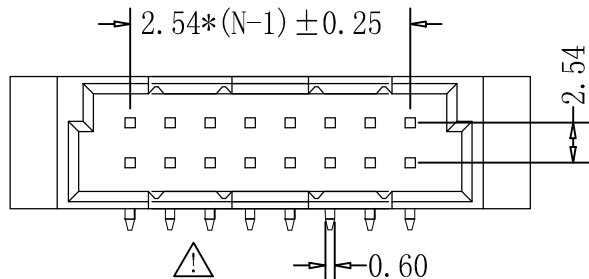


HSF



ROHS



Recommended P.C.B. Layout

SPECIFICATION

Current Rating: 2.0Amp  
 Insulation Resistance: 1000MΩ min.at DC 100V  
 Contact Resistance: 20mΩ max  
 Withstand Voltage: AC 1000V For 1 Minute  
 Operating Temperature: -55° C to +105° C  
 Contact Material: Brass  
 Contact Plating: Au or Sn Over Ni  
 Insulator Material: PBT+30%GF UL 94V-0  
 Insertion Force: 20 pin max.18N  
 Withdrawal Force: 0.15N min.per individual contact

Ordering Code:

DMR - XX - X - X - X -211

① ② ③ ④ ⑤ ⑥

- ① Series No:
- ② No. of Contacts  
8p 16p
- ③ Termination :  
B: Right tail length H=3.0mm  
F: Right tail length H=4.4mm  
M: Right tail length H=13.0mm
- ④ Rows Loaded With Contacts  
A: Row a+b    C: Row a  
C1: Row a+b (2, 4, 6...)

⑤ Contact Plating

- G0: Gold flash
- S0: Gold flash/Ni
- G1: 3u" Gold
- S1: 3u" Gold/Ni
- G2: 5u" Gold
- S2: 5u" Gold/Ni
- G3: 10u" Gold
- S3: 10u" Gold/Ni
- G4: 15u" Gold
- S4: 15u" Gold/Ni
- G5: 30u" Gold
- S5: 30u" Gold/Ni
- SN: Tin

⑥ Series number

211

Code	Number Of Contacts	Contact Arrangement	Rows With Contacts	Pitch
A	16		a b	2.54
C	8		a-	2.54
C1	8		a b	5.08

Unless Otherwise specified tolerance

X. ±0.35    X.XX: ±0.20  
 X.X: ±0.25    X.XXX: ±0.15

**Atkconn**® ATKCONN ELECTRONICS CO.,LTD  
[Http://www.atkconn.com](http://www.atkconn.com)

SCALE: As Shown    UNIT: mm

DRAW ZLA    DATE 24/04/2022

CHECK BobYang    DATE 24/04/2022



TITLE: DIN41612 Right Angle Plug Type Connectors 16 Positions

DRAWING NO: DMR-XX-XXX-211

PRODUCT NO: DMR-XX-XXX-211

REV	DESCRIPTION	DATE