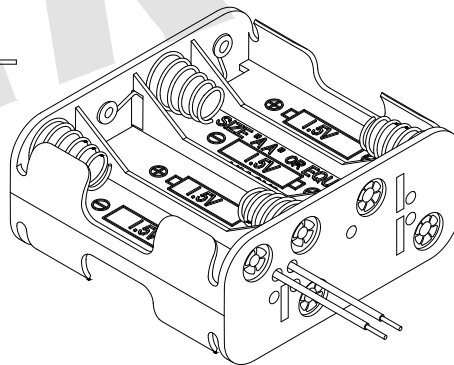
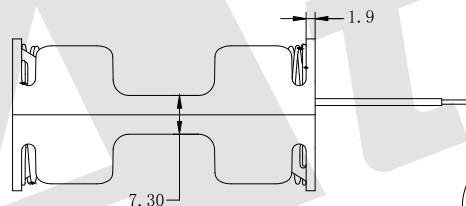
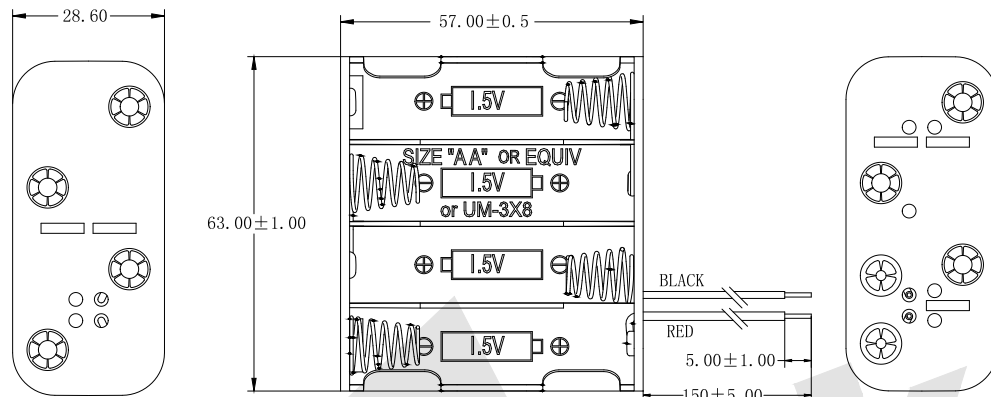




NOTE:

Base Material:PP Resin,Black
 Flammability Rating:UL94-HB or Custom Made
 Temperature Range:-10° c to 100° c
 Wire:UL1007 26AWG,300V,80° C
 150±5mm Strip and Tin 5±1mm
 Spring:0.65mm 65C Spring Wire ,Nickel Plated
 Rivets:Brass Nickel Plated
 RoHS COMPLIANT



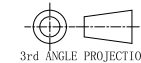
Ordering Code:

BBA - 5 - 8 - 150 - 2 - A
 ① ② ③ ④ ⑤ ⑥

- ① BBB: Battery Holders
 - ② BATTERY TYPE
 - ③ BATTERY NUMBERS
 - ④ Wire Length
 - ⑤ Double
 - ⑥ Packing
- For example:
 150=150mm
 2:Double
 A:TRAY

Unless Otherwise specified tolerance
 X. ±0.35 X.XX: ±0.20
 X.X: ±0.25 X.XXX: ±0.15

SCALE: As Shown UNIT: mm
 DRAW ZLA DATE 21/07/2022
 CHECK BobYang DATE 21/07/2022



Atkconn® ATKCONN ELECTRONICS CO., LTD
[Http://www.atkconn.com](http://www.atkconn.com)

TITLE: 8 PIECES AA Battery Holders 4P DOUBLE

DRAWING NO: BBA-5-8-150-2-A

PRODUCT NO: BBA-5-8-150-2-A

REV	DESCRIPTION	DATE
1		
2		
3		
4		
5		