



NOTE:

Type:Surface Mounted Device
 Base Material:Nylon Resin,Black Color
 Contacts:0.30 THK Stainless Steel
 Flammability Rating:UL 94 V-0
 Dielectric Strength: 560 Voits/Mll, at
 25°C For 5 Sec

Ordering Code:

BT - M - G0- R - 18650-1

① ② ③ ④ ⑤

① BT: Coin Cell Holders

② Apperance for the product

M:SMT TYPE S:180 TYPE R:90 TYPE

③ Contact Plating

SI: NICKEL Plated G2: 5U" Gold

SN: Tin G3: 10U" Gold

G0: Gold flash G4: 15U" Gold

G1: 3U" Gold G5: 30U" Gold

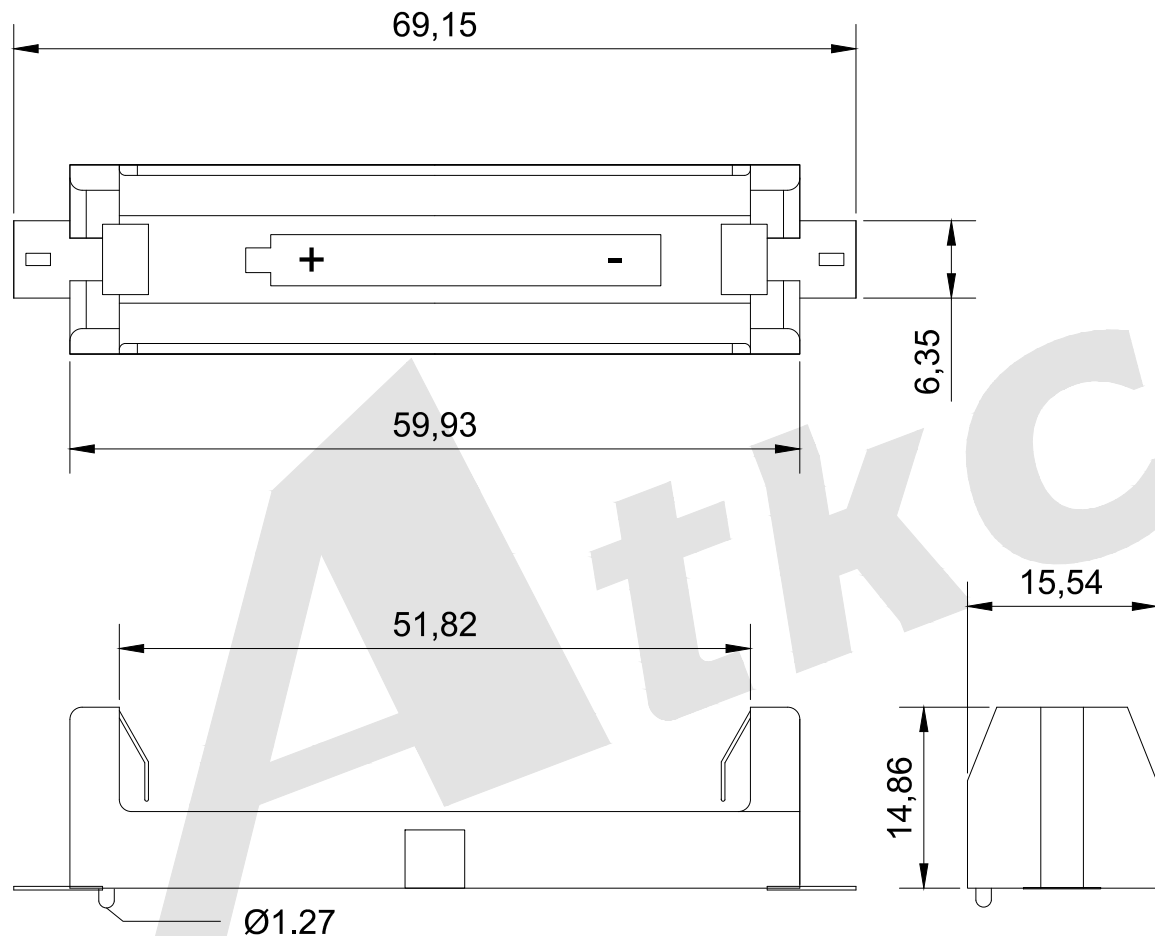
④ Packing method

A: Tray packing

R: Tape & reel packing

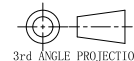
⑤ Product number

18650-1



Unless Otherwise specified tolerance
 X. ±0.35 X.XX: ±0.20
 X.X: ±0.25 X.XXX: ±0.15

SCALE: As Shown UNIT: mm
 DRAW ZLA DATE 21/07/2022
 CHECK BobYang DATE 21/07/2022



Atkconn® ATKCONN ELECTRONICS CO., LTD
[Http://www.atkconn.com](http://www.atkconn.com)

TITLE: Coin Cell Holders For One Li-ion
 18650 SMT With Post

DRAWING NO: BT-M-G0-R-18650-1

PRODUCT NO: BT-M-G0-R-18650-1

REV	DESCRIPTION	DATE
1		
2		
3		
4		
5		