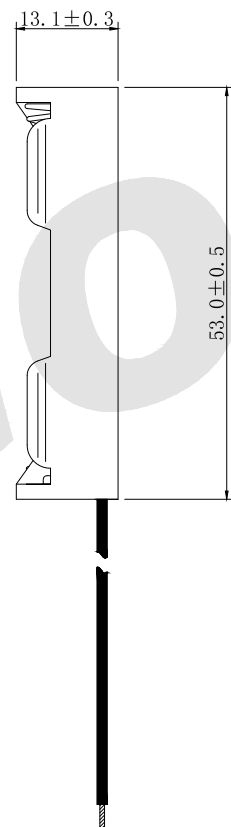
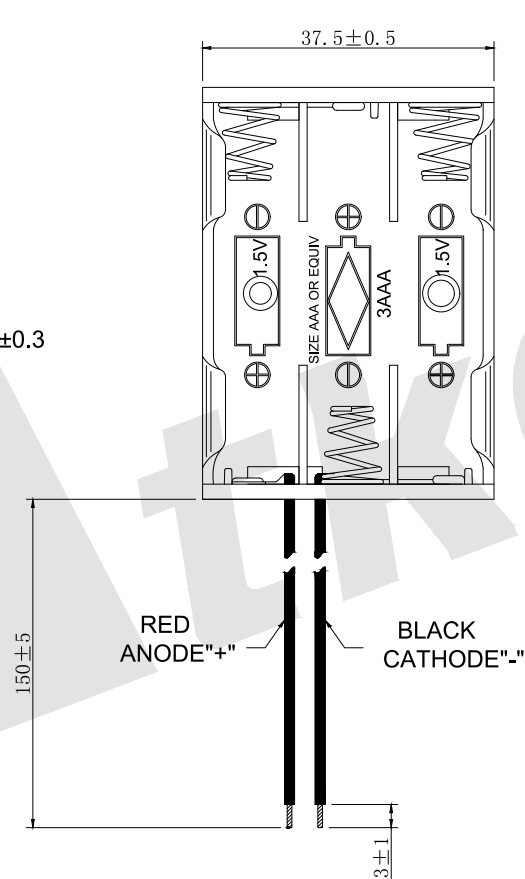
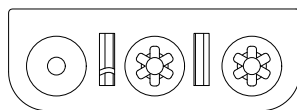
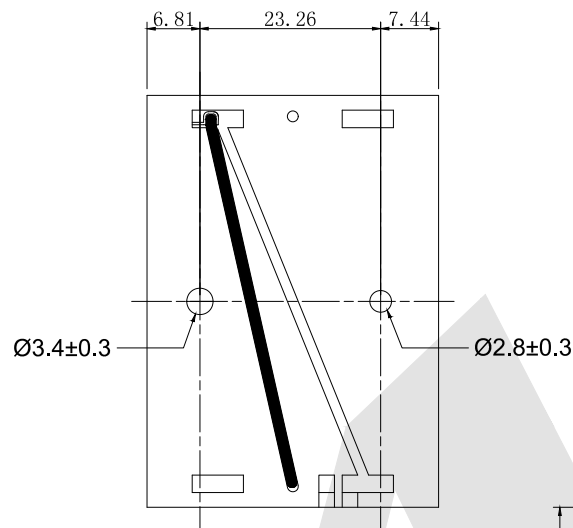




1. HOLDER MAT' L: POLYPROPYLENE
2. SPRING MAT' L: MUSIC WIRE, (0.60) DIA. FINISH: NICKEL PLATE
3. WIRE SPEC: 1007 26# AWG UL/CSA, RED/BLACK, stripped with Tin plated



Ordering Code:

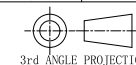
BBA - 7 - 3 - 150 - A - 5

① ② ③ ④ ⑤ ⑥

- ① BBA: Battery Holders
- ② BATTERY TYPE
5: AA SIZE
7: AAA SIZE
- ③ BATTERY NUMBERS
1: 1 piece
2: 2 Pieces
3: 3 pieces
4: 4 pieces
- ④ Wire Length
For example:
150=150mm
- ⑤ Packing
A: TRAY
- ⑥ 5: Series Number

Unless Otherwise specified tolerance
X. ±0.35 X.XX: ±0.20
X.X: ±0.25 X.XXX: ±0.15

SCALE: As Shown UNIT: mm
DRAW ZLA DATE 21/07/2022
CHECK BobYang DATE 21/07/2022



Atkconn® ATKCONN ELECTRONICS CO., LTD
[Http://www.atkconn.com](http://www.atkconn.com)

TITLE: 3 PIECES AAA Battery Holders

DRAWING NO: BBA-7-3-150-A-5

PRODUCT NO: BBA-7-3-150-A-5

REV	DESCRIPTION	DATE
1		
2		
3		
4		
5		