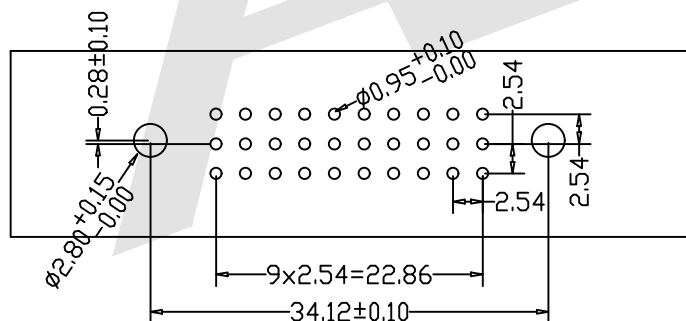
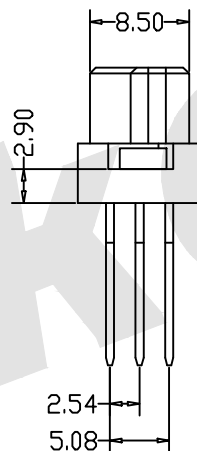
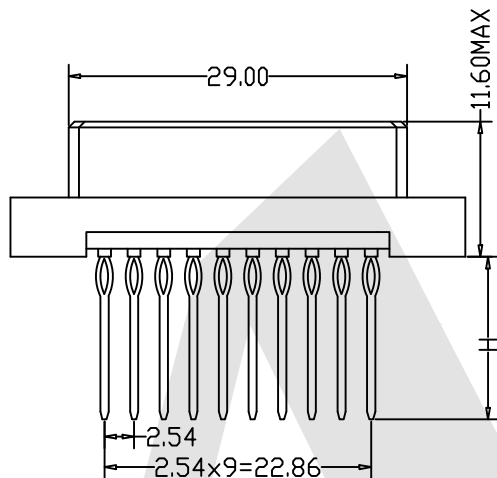
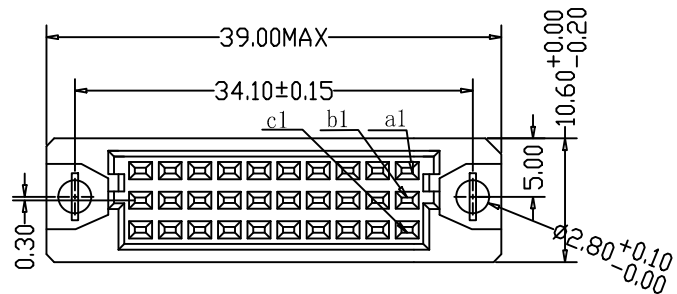


HSF



ROHS



Recommended P. C. B. Layout

SPECIFICATION

Current Rating: 2.0Amp
 Insulation Resistance: 1000MΩ min. at DC 100V
 Contact Resistance: 20mΩ max
 Withstand Voltage: AC 1000V For 1 Minute
 Operating Temperature: -55° C to +105° C
 Contact Material: Brass
 Contact Plating: Au or Sn Over Ni
 Insulator Material: PBT+30%GF UL 94V-0
 Insertion Force: 30 pin max.28N
 Withdrawal Force: 0.15N min. per individual contact

Ordering Code:

DFS - XX - X - X - X -319
 ① ② ③ ④ ⑤ ⑥

① Series No:

② No. of Contacts
 30p 20p 10P

③ Termination

I: Straight press-fit tail length H=5.0mm
 M: Straight press-fit tail length H=13.0mm
 N: Straight press-fit tail length H=17.0mm

④ Rows Loaded With Contacts

D: Row a+b+c
 F: Row a+c
 D1: Row a+c (2, 4, 6...)

⑤ Contact Plating

G0: Gold flash
 S0: Gold flash/Ni
 G1: 3u" Gold
 S1: 3u" Gold/Ni
 G2: 5u" Gold
 S2: 5u" Gold/Ni
 G3: 10u" Gold
 S3: 10u" Gold/Ni
 G4: 15u" Gold
 S4: 15u" Gold/Ni
 G5: 30u" Gold
 S5: 30u" Gold/Ni
 SN: Tin

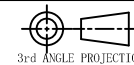
⑥ Series number

319

Code	Number Of Contacts	Contact Arrangement	Rows With Contacts	Pitch
D	30		a b c	2.54
F	20		a c	2.54
D1	10		a b c	5.08

Unless Otherwise specified tolerance
 X. ±0.35 X.XX: ±0.20
 X.X: ±0.25 X.XXX: ±0.15

SCALE: As Shown UNIT: mm
 DRAW ZLA DATE 24/04/2022
 CHECK BobYang DATE 24/04/2022



Atkconn® ATKCONN ELECTRONICS CO., LTD
 Http://www.atkconn.com

TITLE:
 DIN41612 Vertical Female Type 1/3C Compliant
 Press-Fit Connectors 30 Positions

DRAWING NO: DFS-XX-XXX-319

PRODUCT NO: DFS-XX-XXX-319

REV	DESCRIPTION	DATE