

NOTES:

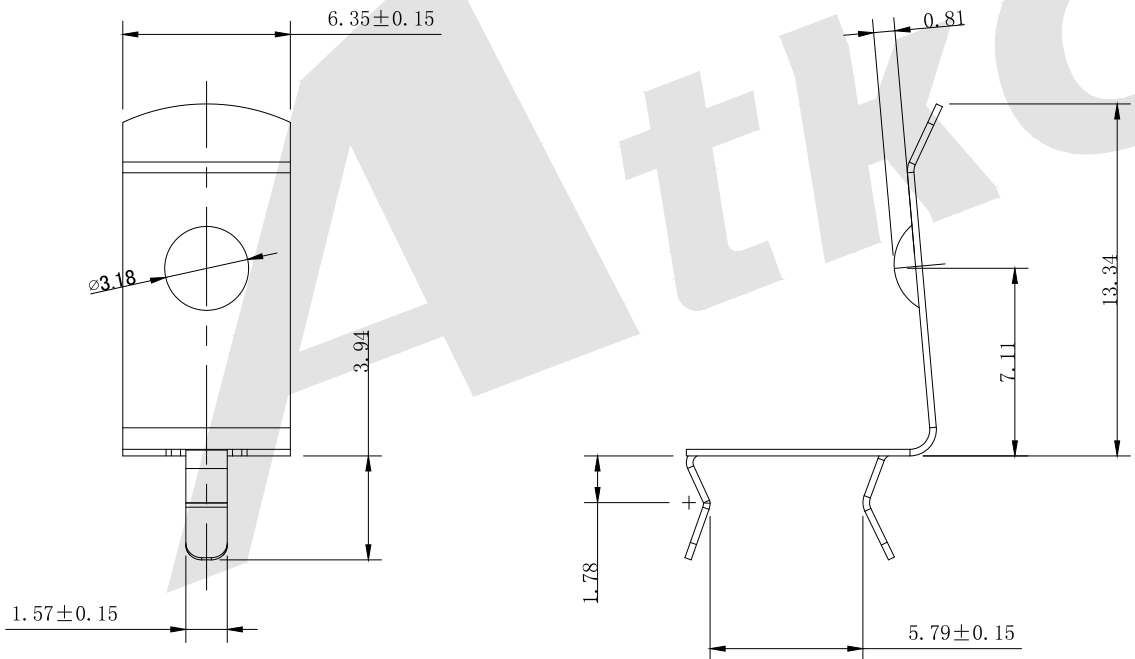
- 1. MATERIAL: ANNEALED SPRING
STEEL, T=0.25mm.
- 2. PLATING:
80u" Min TIN PLATED OVERALL
50u" Min NICKEL PLATED UNDER
OVERALL
- 3. THIS PRODUCT IS SUITABLE FOR AAA&A
PC BATTERY

Order code:

BS - R - SN - X - 52
① ② ③ ④ ⑤

- ① BS: Battery Contacts
- ② Appearance for the product
M: SMT TYPE
S: 180 TYPE
R: 90 TYPE
- ③ Contact Plating
SI: NICKEL PLATE
SN: Tin

G0: Gold flash
G1: 3u" Gold
G2: 5u" Gold
G3: 10u" Gold
G4: 15u" Gold
G5: 30u" Gold
- ④ Packing method
A: Tray packing
R: Tape & reel packing
B: Bag packing
- ⑤ Product number
52:52 STYLE

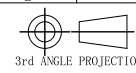


Unless Otherwise specified tolerance
X. ±0.35 X.XX: ±0.20
X.X: ±0.25 X.XXX: ±0.15

SCALE: As Shown	UNIT: mm
DRAW ZLA	DATE 21/07/2022
CHECK BobYang	DATE 21/07/2022

Atkconn® ATKCONN ELECTRONICS CO., LTD
[Http://www.atkconn.com](http://www.atkconn.com)

TITLE:
PC BATTERY CLIP 52 STYLE FOR AAA & A
DRAWING NO: BS-R-SN-X-52
PRODUCT NO: BS-R-SN-X-52



REV	DESCRIPTION	DATE
1		
2		
3		
4		
5		