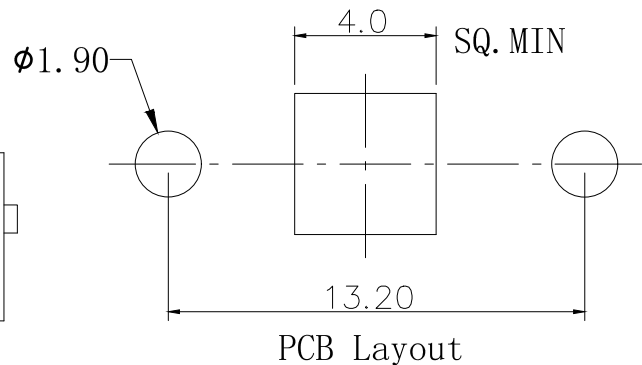
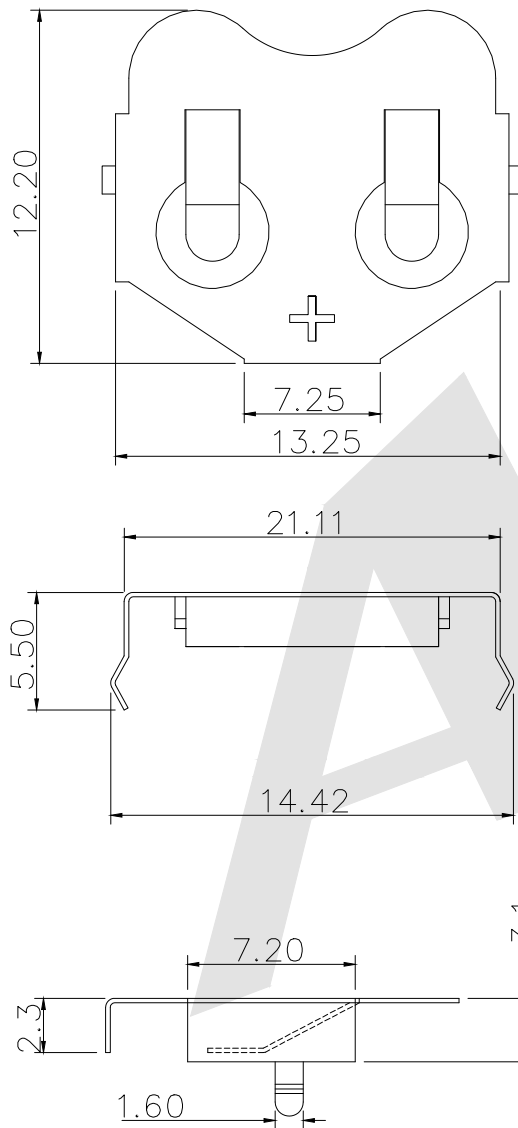




### NEG. CONTACT PAD



### NOTES:

1. MATERIAL:  
0.25mm PHOSPHOR BRONZE, NICKEL PLTD.
2. ROHS 2 COMPLIANT
3. COATING PARAMETERS: 4um
4. TEMPERATURE RANGE: -40° C - 270° C
5. VOLTAGE PARAMETERS: 270V

BS - S - SI - R - CR1225C  
 ① ② ③ ④ ⑤

- ① BS: Battery Contacts
- ② Appearance for the product  
S: 180 TYPE
- ③ Contact Plating  
SI: Nickel Plate  
SN: Tin  
G0: Gold flash  
G1: 3U" Gold  
G2: 5U" Gold  
G3: 10U" Gold  
G4: 15U" Gold  
G5: 30U" Gold
- ④ Packing method  
A: Tray packing  
R: Tape & reel packing
- ⑤ Product number  
CR1225C

Unless Otherwise specified tolerance  
 X. ±0.35 X.XX: ±0.20  
 X.X: ±0.25 X.XXX: ±0.15

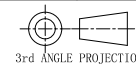
SCALE: As Shown	UNIT: mm
DRAW ZLA	DATE 21/07/2022
CHECK BobYang	DATE 21/07/2022

**Atkconn**® ATKCONN ELECTRONICS CO., LTD  
[Http://www.atkconn.com](http://www.atkconn.com)

TITLE: BATTERY CONTACTS FOR CR1225 CR1216 CR1220

DRAWING NO: BS-S-SI-R-CR1225C

PRODUCT NO: BS-S-SI-R-CR1225C



REV	DESCRIPTION	DATE
1		
2		
3		
4		
5		