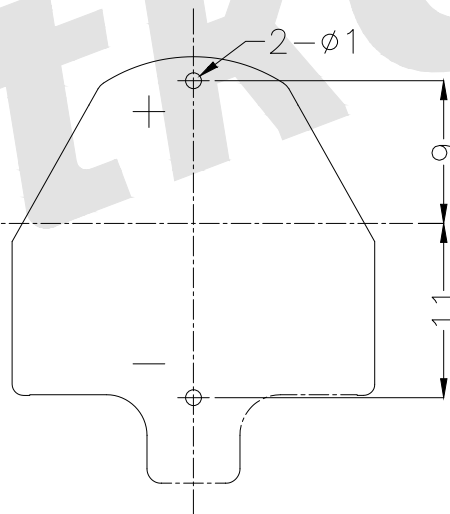
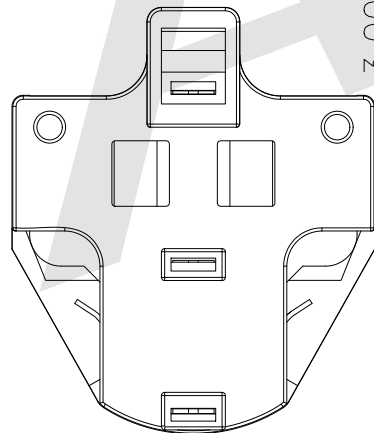
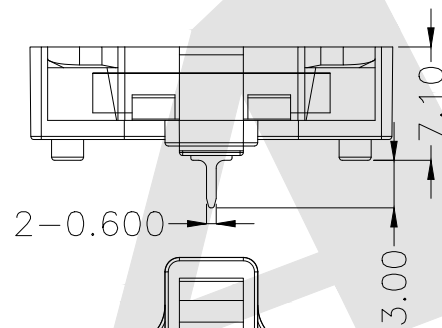
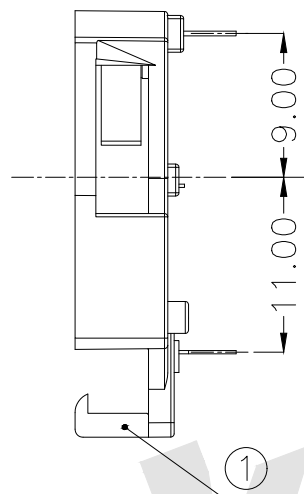
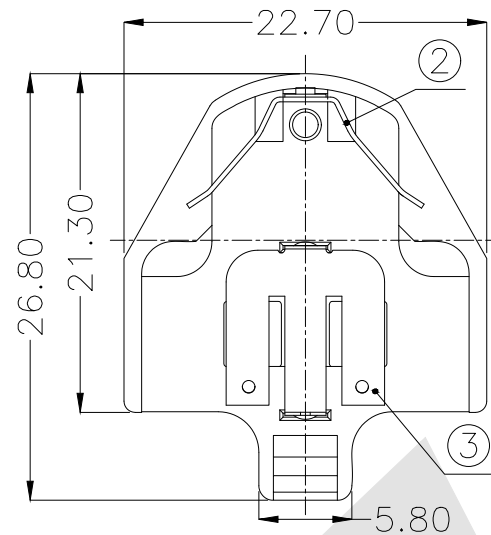


HSF



RoHS



PCB Layout Diagram
Top View

NOTE:

- 1, Material:
 - a. Housing: PA66 UL94V-0
 - Contact: Phosphor Bronze
 - (Surface Plating: Sn=100u"~120u")
 - See Ordering Information
- 2, Electric:
 - a. Contact Resistance: 30 Milliohms Max
 - b. Insulation Resistance: 1000 MEGA OHMS Min
 - c. Dielectric Voltage: 500V AC One Sea Level
 - d. Operating Temperature: -55° To 105°

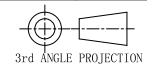
Order code:

BT — S — SN — R — CR2032J
 ① ② ③ ④ ⑤

- ① BT: Coin Cell Holders
- ② Appearance for the product
- M: SMT TYPE
- S: 180 TYPE
- R: 90 TYPE
- ③ Contact Plating
- SN: Tin
- G0: Gold flash
- G1: 3U" Gold
- G2: 5U" Gold
- G3: 10U" Gold
- G4: 15U" Gold
- G5: 30U" Gold
- ④ Packing method
- A: Tray packing
- R: Tape & reel packing
- ⑤ Product number
- CR2032J

Unless Otherwise specified tolerance
 X. ±0.35 X.XX: ±0.20
 X.X: ±0.25 X.XXX: ±0.15

SCALE: As Shown UNIT: mm
 DRAW ZLA DATE 21/07/2022
 CHECK BobYang DATE 21/07/2022



Atkconn® ATKCONN ELECTRONICS CO., LTD
[Http://www.atkconn.com](http://www.atkconn.com)

TITLE: Coin Cell Holders For CR2032

DRAWING NO: BT-S-SN-R-CR2032J

PRODUCT NO: BT-S-SN-R-CR2032J

REV	DESCRIPTION	DATE
1		
2		
3		
4		
5		