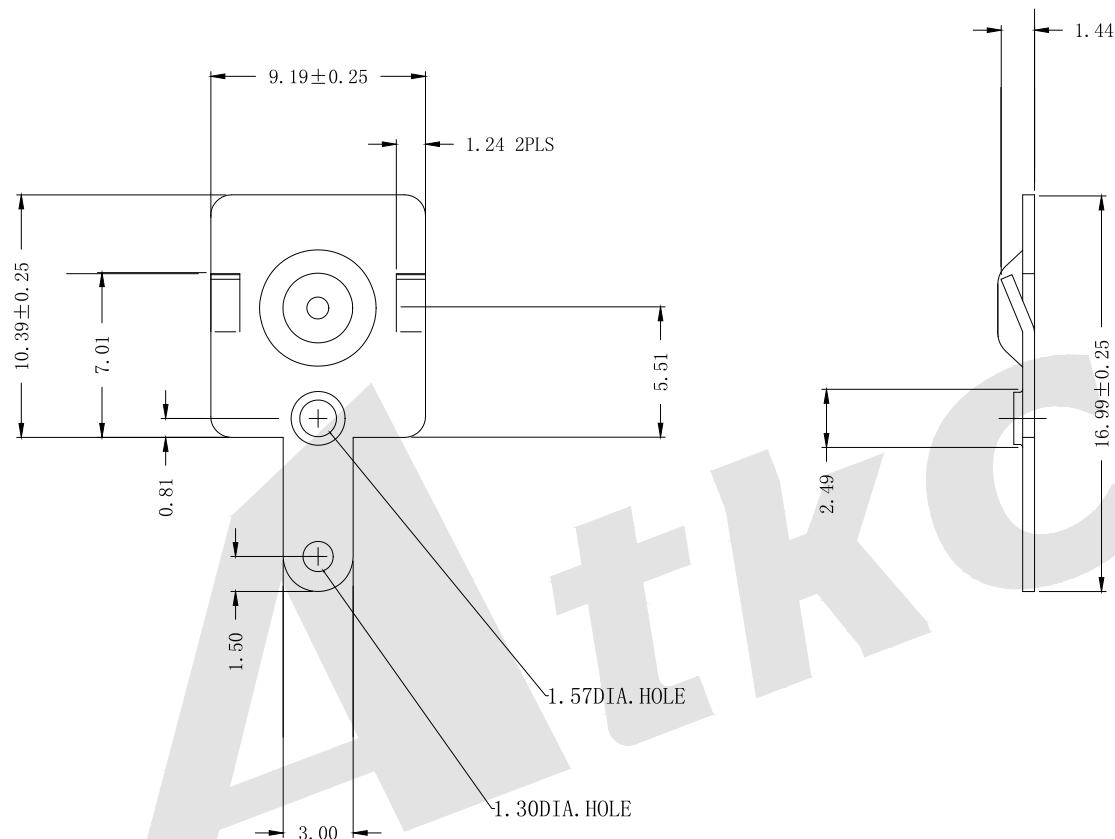




Technical Requirements:  
 1. Materials: 0.5 STEEL FINISH NICKEL-PLATED.  
 2. COATING PARAMETERS: 4um.  
 3. TEMPERATURE RANGE: -40° C ~ 270° C  
 4. VOLTAGE PARAMETERS: 270V



Positive

Order Code:

BS - S - SI - B - 156

① ② ③ ④ ⑤

① BS: Battery Contacts

② Appearance for the product

S:180 TYPE

③ Contact Plating

SI: Nickel Plate

SN: Tin

G0: Gold flash

G1: 3U" Gold

G2: 5U" Gold

G3: 10U" Gold

G4: 15U" Gold

G5: 30U" Gold

④ Packing Method

A: Tray Packing

B: BAG PACKING

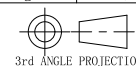
R: Tape & Reel Packing

⑤ Product Number

156

Unless Otherwise specified tolerance  
 X. ±0.35 X.XX: ±0.20  
 X.X: ±0.25 X.XXX: ±0.15

SCALE: As Shown	UNIT: mm
DRAW ZLA	DATE 21/07/2022
CHECK BobYang	DATE 21/07/2022



**Atkconn**® ATKCONN ELECTRONICS CO., LTD  
[Http://www.atkconn.com](http://www.atkconn.com)

TITLE:  
 AAA 7# Cell Battery Contacts(Positive) 156

DRAWING NO: BS-S-SI-B-156

PRODUCT NO: BS-S-SI-B-156

REV	DESCRIPTION	DATE
1		
2		
3		
4		
5		