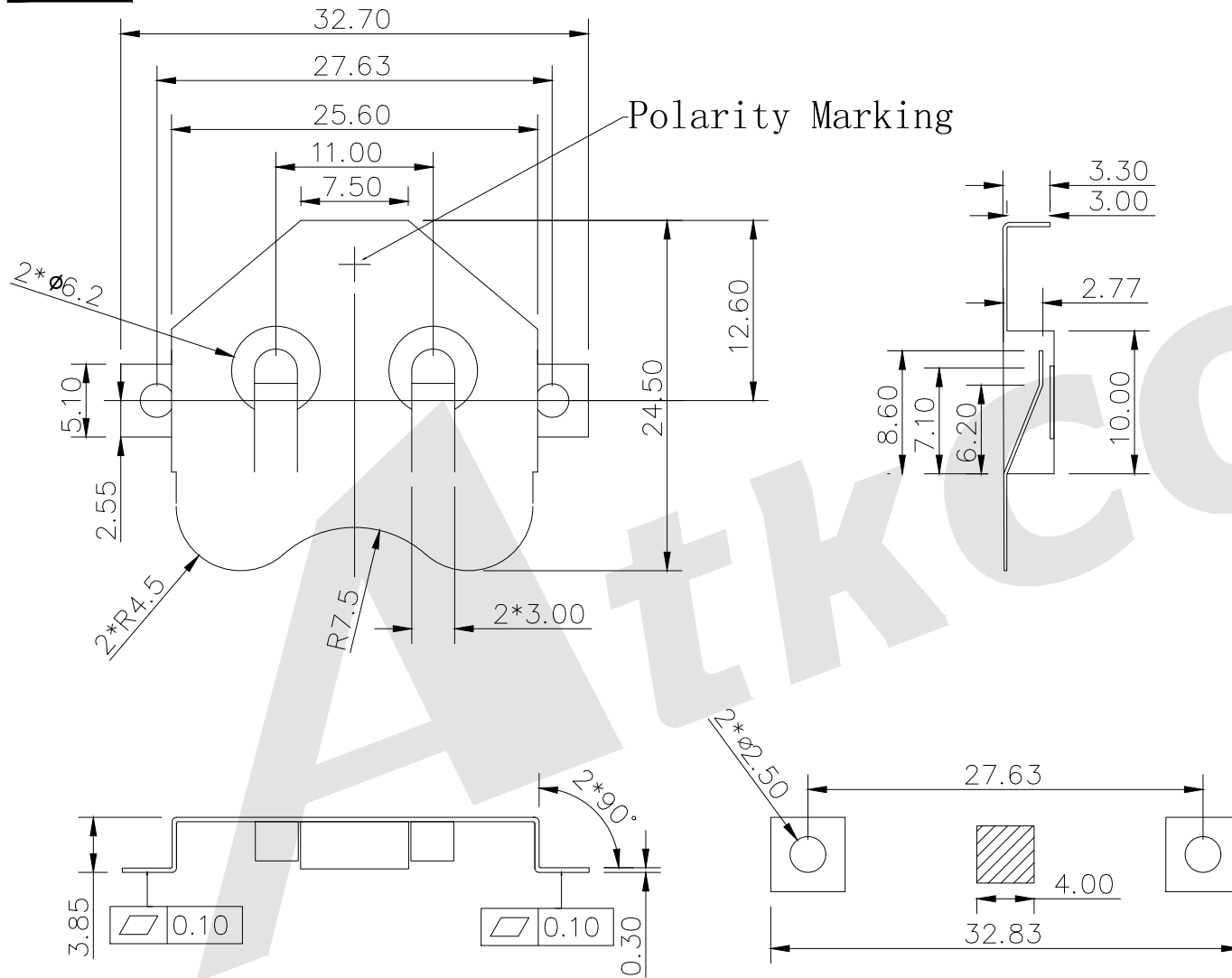




ROHS



NOTE:

1. ALL INSIDE BEND RADII TO BE A MIN. OF MATERIAL THICKNESS UNLESS OTHERWISE SPECIFIED.
2. PART MUST BE FREE OF ALL BURRS AND SHARP EDGES.
3. MAT' L: 0.254 TH' K FULL HARD PHOSPHOR BRONZE
4. FINISH: NICKEL PLATE 0.00254-0.00762 NICKEL, OVER 0.00127-0.00254 COPPER
5. INDICATES CRITICAL DIMENSION

Order code:

BS - M - SI - R - CR2430-2
 ① ② ③ ④ ⑤

- ① BS: Battery Contacts
- ② Appearance for the product
 M: SMT TYPE
 S: 180 TYPE
 R: 90 TYPE
- ③ Contact Plating
 SI: NICKEL PLTD
 SN: Tin
- ④ Packing method
 A: Tray packing
 R: Tape & reel packing
- ⑤ Product number
 CR2430-2
- G0: Gold flash
- G1: 3U" Gold
- G2: 5U" Gold
- G3: 10U" Gold
- G4: 15U" Gold
- G5: 30U" Gold

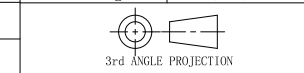
PCB Layout Diagram

Unless Otherwise specified tolerance
 X. ±0.35 X.XX: ±0.20
 X.X: ±0.25 X.XXX: ±0.15

Atkconn® ATKCONN ELECTRONICS CO., LTD
[Http://www.atkconn.com](http://www.atkconn.com)

SCALE: As Shown UNIT: mm
 DRAW ZLA DATE 21/07/2022
 CHECK BobYang DATE 21/07/2022

TITLE: BATTERY HOLDER FOR CR2430-2



DRAWING NO: BS-M-SI-R-CR2430-2
 PRODUCT NO: BS-M-SI-R-CR2430-2

REV	DESCRIPTION	DATE
1		
2		
3		
4		
5		