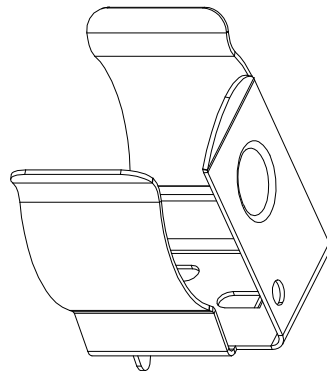
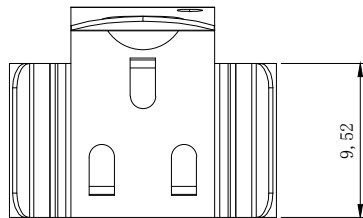


HSF



NOTES:
 1. MATERIAL: ANNEALED SPRING
 STEEL, T=0.3mm.
 2. PLATING:
 80u" Min TIN PLATED OVERALL
 50u" Min NICKEL PLATED UNDER OVERALL
 3. THIS PRODUCT IS SUITABLE FOR 16-19MM BATTERY

Order code:

BS - R - SN - X - 54
 ① ② ③ ④ ⑤

① BS: Battery Contacts ④ Packing method
 A: Tray packing
 ② Appearance for the product R: Tape & reel packing
 B: Bag packing

M: SMT TYPE

S: 180 TYPE

R: 90 TYPE

⑤ Product number
 54:54 STYLE

③ Contact Plating

SI: NICKEL PLATE

SN: Tin

G0: Gold flash

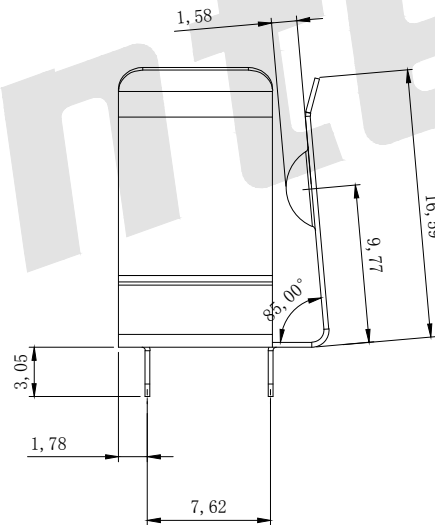
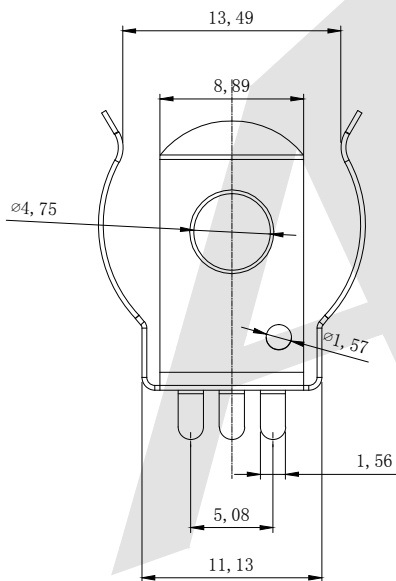
G1: 3u" Gold

G2: 5u" Gold

G3: 10u" Gold

G4: 15u" Gold

G5: 30u" Gold



Unless Otherwise specified tolerance
 X. ±0.50 X.XX: ±0.25
 X.X: ±0.35 X.XXX: ±0.10

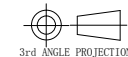
SCALE: As Shown UNIT: mm
 DRAW: Wu Feng Rong DATE: 28/08/2020
 CHECK: BobYang DATE: 28/08/2020

Antenk ANTENK ELECTRONICS CO., LTD
 Http://www.antenk.com
 E-mail:sales@antenk.com

TITLE:
 Battery Holder 54 STYLE FOR 16-19MM BATTERY

DRAWING NO: BS-R-SN-X-54

PRODUCT NO: BS-R-SN-X-54



REV	DESCRIPTION	DATE
1		
2		
3		
4		
5		