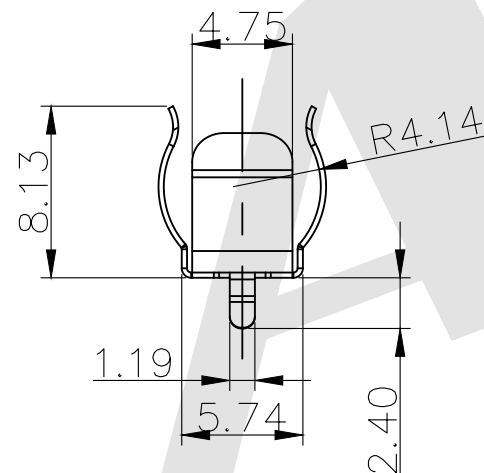
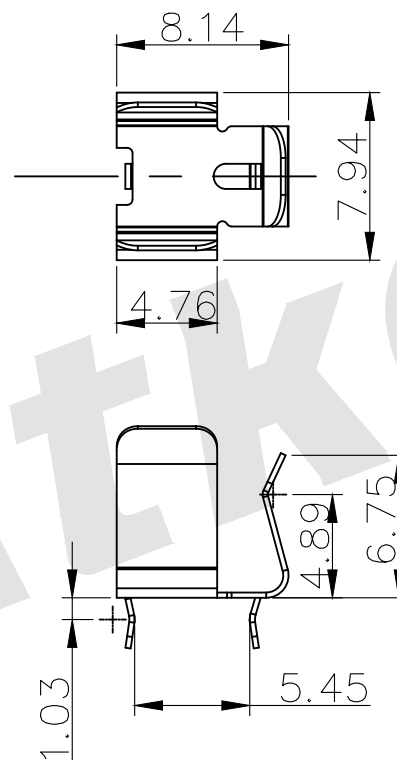
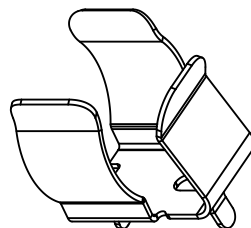


HSF



ROHS

NOTES:
 1.MATERIAL: ANNEALED SPRING STEEL,T=0.25mm.
 2.PLATING:
 80U" Min TIN PLATED OVERALL
 50U" Min NICKEL PLATED UNDER OVERALL
 3.THIS PRODUCT IS SUITABLE FOR AAA BATTERY CLIP



Order code:

$\frac{BS}{①} - \frac{R}{②} - \frac{XX}{③} - \frac{X}{④} - \frac{51}{⑤}$

- ① BS: Battery Contacts
- ② Apperance for the product
 M:SMT TYPE
 S:180 TYPE
 R:90 TYPE
- ③ Contact Plating
 SI:NICKEL PLATE
 SN:Tin
 G0: Gold flash
 G1: 3u" Gold
 G2: 5u" Gold
 G3: 10u" Gold
 G4: 15u" Gold
 G5: 30u" Gold
- ④ Packing method
 A: Tray packing
 R: Tape & reel packing
 B: Bag packing
- ⑤ Product number
 51: 51 STYLE

Unless Otherwise specified tolerance
 X. ±0.35 X.XX:±0.20
 X.X:±0.25 X.XXX:±0.15

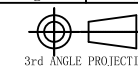
Atkconn® ATKCONN ELECTRONICS CO.,LTD
[Http://www.atkconn.com](http://www.atkconn.com)

SCALE: As Shown	UNIT: mm
DRAW ZLA	DATE 21/07/2022
CHECK BobYang	DATE 21/07/2022

TITLE: Battery contact clip 51

DRAWING NO: BS-R-XX-X-51

PRODUCT NO: BS-R-XX-X-51



REV	DESCRIPTION	DATE
1		
2		
3		
4		
5		