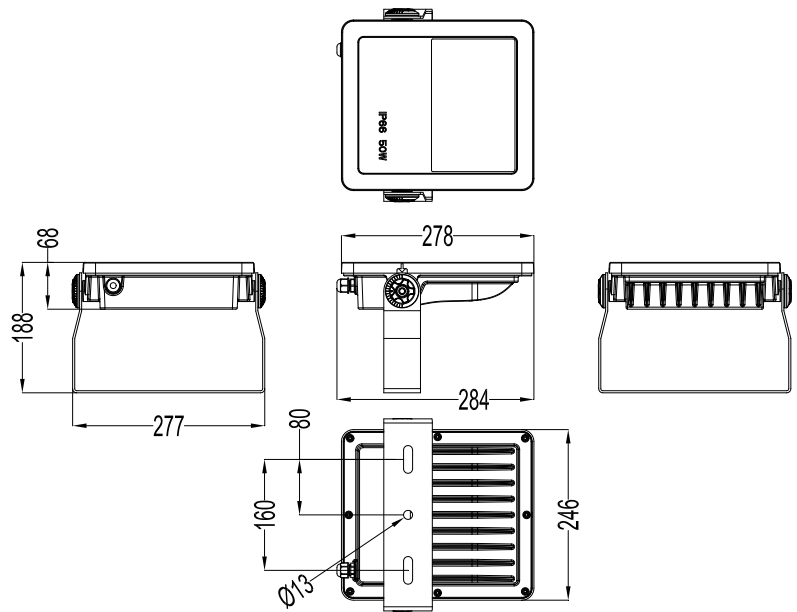


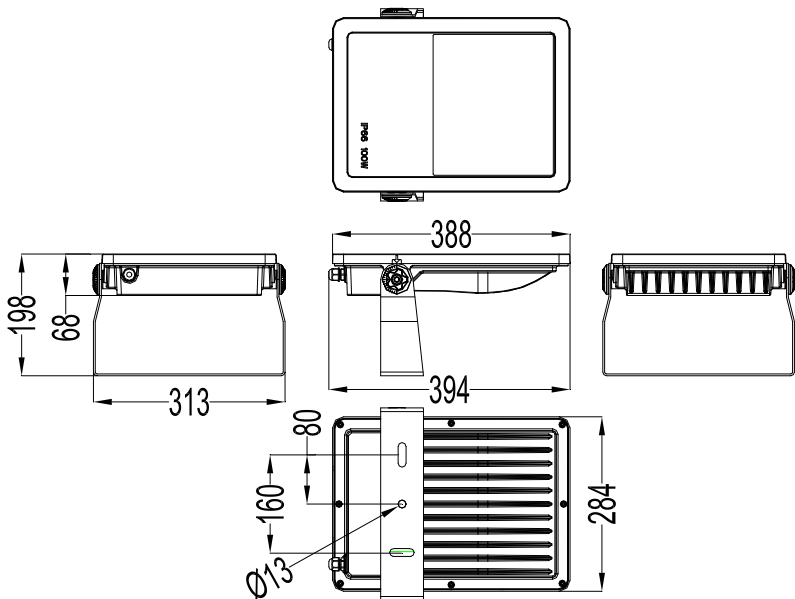
# LED Flood Light Data Sheet

Model number: RYGH-241-FL-050



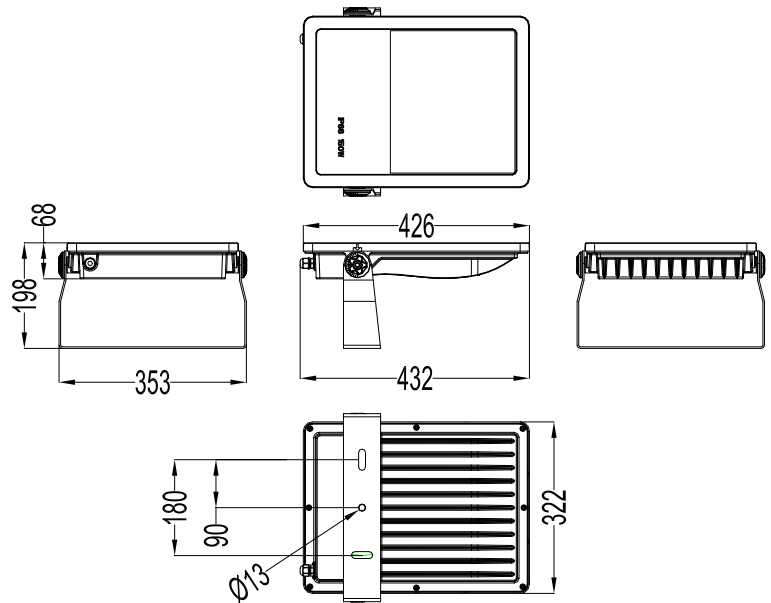
| Mechanical specifications  |                       |                                 |                |                            |                   |                           |
|--|-----------------------|---------------------------------|----------------|----------------------------|-------------------|---------------------------|
| Index of Protection  | Heatsink              | Lens:                           |                | Glass cover                | Product size      |                           |
| IP66   | ADC12#Aluminium Alloy | UV resistant flame retardant PC |                | Ultra white tempered glass | 284mm*277mm*188mm |                           |
| Electric specifications  |                       |                                 |                |                            |                   |                           |
| Power rating   | Input voltage         | output voltage                  | output current | Driver efficiency          | Power factor      | Environmental temperature |
| 50W  | 100V~300V<br>50/60Hz  | 36V                             | 1.4 A          | >90%                       | >0.92             | -40°C~+50°C               |
| Packing  |                       | Packing size                    |                | Net Weight                 |                   | Gross Weight              |
| 1 unit(s) /ctn.  |                       | 330mm*300mm*130mm               |                | 3.84kg                     |                   | 4.32kg                    |
| Optoelectronic specifications  |                       |                                 |                |                            |                   |                           |
| lamp luminous flux   | Lamp beam angle       |                                 |                |                            | C R I             | C C T                     |
| 5250 L m   | 30°                   | 60°                             | 90°            | 60*135°                    | >75               | WW, NW, CW                |
| Application  |                       |                                 |                |                            |                   |                           |
| Factory, square, billboard, gas station, tunnel, industrial fixed lighting |                       |                                 |                |                            |                   |                           |

Product model:RYGH-241-FL-100



| Mechanical specifications  |                       |                                 |                |                            |                   |                           |
|--|-----------------------|---------------------------------|----------------|----------------------------|-------------------|---------------------------|
| Index of Protection  | Heatsink              | Lens:                           |                | Glass cover                | Product size      |                           |
| IP66   | ADC12#Aluminium Alloy | UV resistant flame retardant PC |                | Ultra white tempered glass | 394mm*313mm*198mm |                           |
| Electric specifications  |                       |                                 |                |                            |                   |                           |
| Power rating   | Input voltage         | output voltage                  | output current | Driver efficiency          | Power factor      | Environmental temperature |
| 100W   | 100V~300V<br>50/60Hz  | 36V                             | 2.8 A          | >90%                       | >0.92             | -40°C~+50°C               |
| Packing  |                       | Packing size                    |                | Net Weight:                |                   | Gross Weight:             |
| 1 unit(s) /ctn.  |                       | 450mm*340mm*130mm               |                | 5.86kg                     |                   | 6.48kg                    |
| Optoelectronic specifications  |                       |                                 |                |                            |                   |                           |
| lamp luminous flux   | Lamp beam angle       |                                 |                |                            | C R I             | C C T                     |
| 10500 L m  | 30°                   | 60°                             | 90°            | 60*135°                    | >75               | WW, NW, CW                |
| Application  |                       |                                 |                |                            |                   |                           |
| Factory, square, billboard, gas station, tunnel, industrial fixed lighting |                       |                                 |                |                            |                   |                           |

Product Model:RYGH-241-FL-150



| Mechanical specifications  |                       |                                 |                |                            |                   |                           |
|--|-----------------------|---------------------------------|----------------|----------------------------|-------------------|---------------------------|
| Index of Protection  | Heatsink              | Lens:                           |                | Glass cover                | Product size      |                           |
| IP66   | ADC12#Aluminium Alloy | UV resistant flame retardant PC |                | Ultra white tempered glass | 432mm*353mm*198mm |                           |
| Electric specifications  |                       |                                 |                |                            |                   |                           |
| Power rating   | Input voltage         | output voltage                  | output current | Driver efficiency          | Power factor      | Environmental temperature |
| 150W   | 100V~300V<br>50/60Hz  | 36V                             | 4.2 A          | >90%                       | >0.92             | -40°C~+50°C               |
| Packing  |                       | Packing size                    |                | Net Weight:                |                   | Gross Weight:             |
| 1 unit(s) /ctn.  |                       | 485mm*380mm*130mm               |                | 6.84kg                     |                   | 7.66kg                    |
| Optoelectronic specifications  |                       |                                 |                |                            |                   |                           |
| lamp luminous flux   | Lamp beam angle       |                                 |                |                            | C R I             | C C T                     |
| 15750 L m  | 30°C                  | 60°C                            | 90°C           | 60*135°C                   | >75               | WW, NW, CW                |
| Application  |                       |                                 |                |                            |                   |                           |
| Factory, square, billboard, gas station, tunnel, industrial fixed lighting |                       |                                 |                |                            |                   |                           |

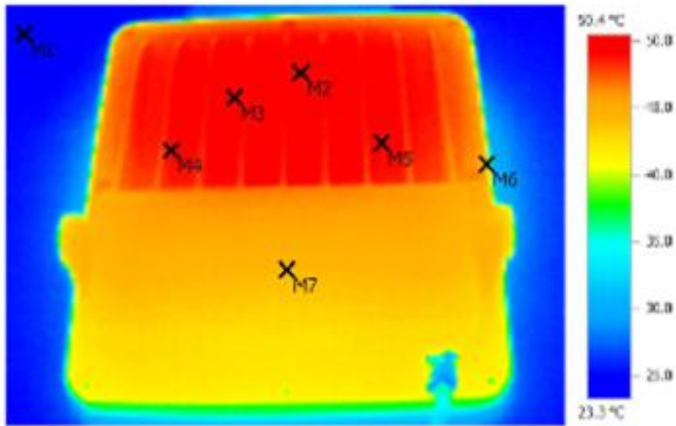
## Thermal imaging parameters

### 50W LED Flood Light

241-50.BMT

2016-12-15

10:30:57

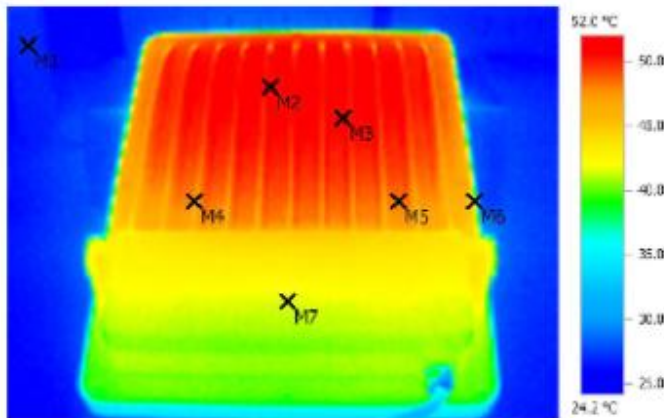


### 100W LED Flood Light

241-100.BMT

2016-12-15

10:30:14

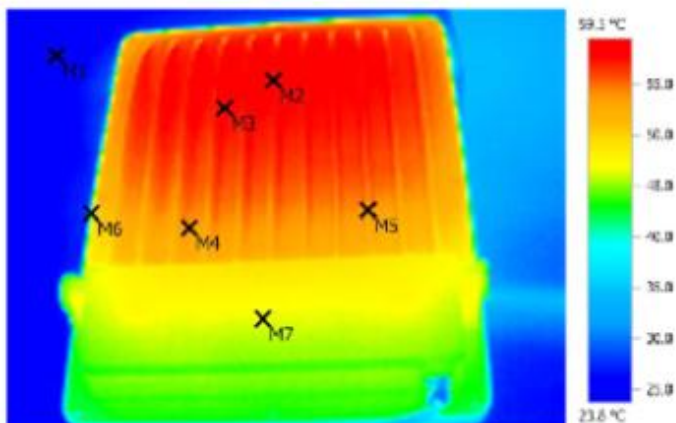


### 150W LED Flood Light

240-150.BMT

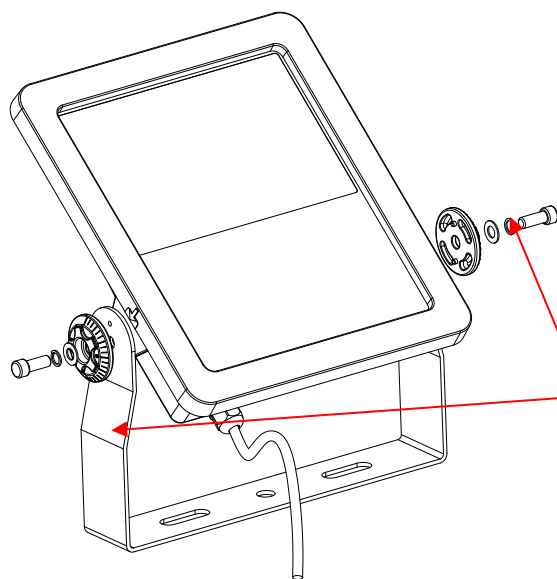
2016-12-15

10:27:48



## Install:

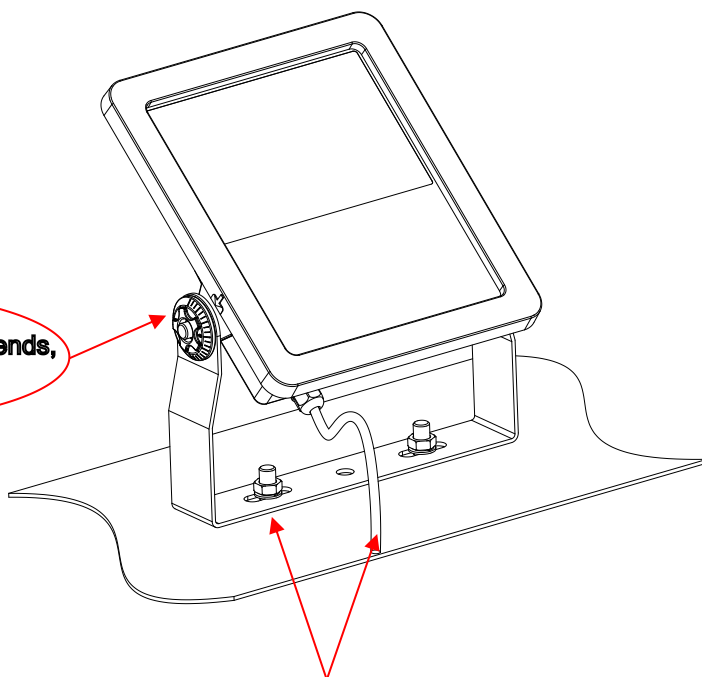
Warning: turn off the power before starting work



**1. Unpack and fix the bracket on the lamp body**

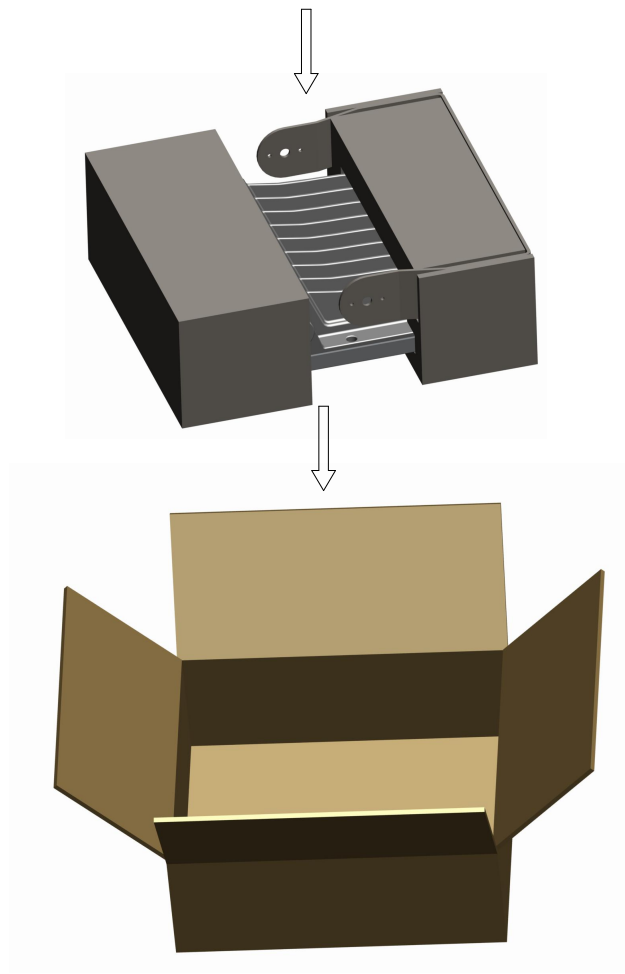


**2. Loosen the screws at both ends,  
Adjustable lighting angle**



**3. Fix the lamp in the position to be installed and  
supply the lamp. It can work normally when it is  
connected to the mains power**

## Packaging diagram:



## Matters needing attention:

1. Please read the operating instructions carefully and follow the operating instructions before installation and use.
2. It shall not be installed near the heat source to avoid the lamp temperature rising and damaging the lamp.
3. Ensure that all connectors are connected correctly and reliably.
4. Do not open the cover of the product without permission.
5. Disconnect the power supply when connecting, installing or removing for maintenance.
6. This equipment is only installed by professionals. Non professional personnel shall not disassemble or install the equipment.